

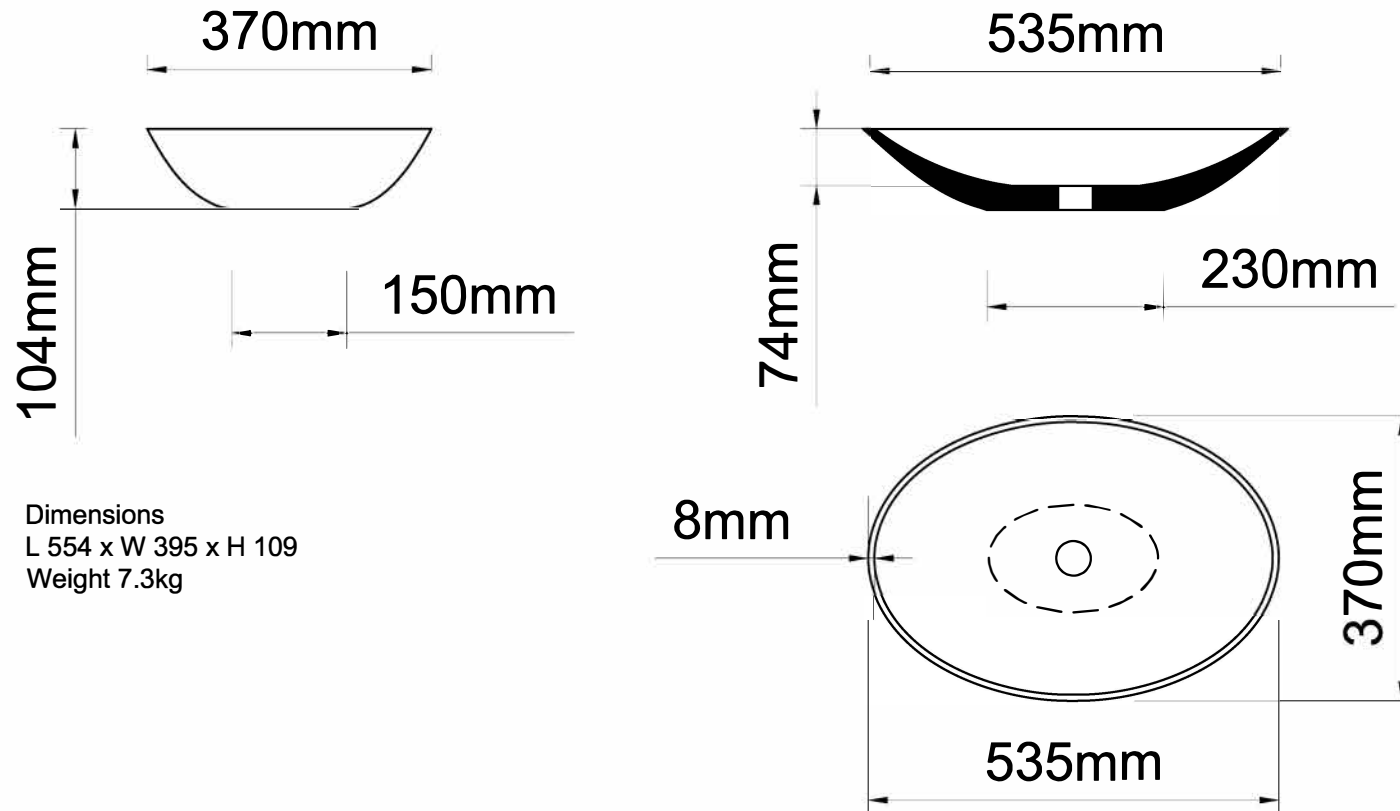


Notes

Taps, accessories and assembly parts are not included and must be purchased separately.

Important

All dimensions listed are nominal. Being cast products they are subject to a size variance of +/- 3% tolerances.



Dimensions
L 554 x W 395 x H 109
Weight 7.3kg

REV	DATE	DESCRIPTION	DRAWN	CHECKED
0	14.03.18	DRAWING CREATED	CADS	CADS

DRAWING TITLE				
Cella basin				
SCALE	PAPER SIZE	DATE	DRAWN	CHECKED
1:10	A4	14/03/18	CADS	CADS

DRAWING No.	REVISION
CELLA-01	-

Do not scale from this drawing, only dimensions given should be used. For illustrative purposes only, not for manufacture