



ashton & bentley

Azzure bath

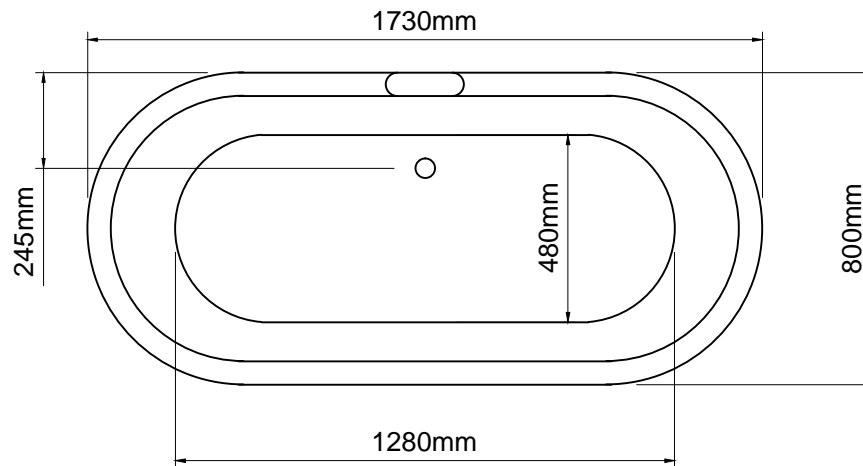
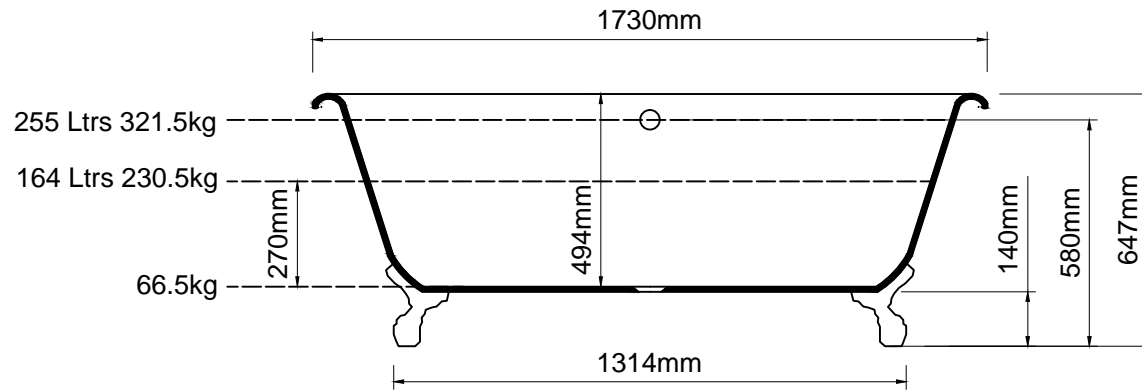
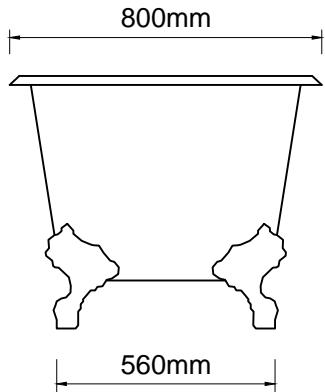
Notes

Taps, accessories and assembly parts are not included and must be purchased separately.

Important

All dimensions listed are nominal. Being cast products they are subject to a size variance of +/- 3% tolerances.

Do not scale from this drawing, only dimensions given should be used. For illustrative purposes only, not for manufacture



Bath weight: 66.5 kilos (approx)

Dimensions

L 1730 x W 800 x H 647

Tap ledge 200 x 60mm flat area

Luxury Bathroom Solutions