



ashton & bentley

Atlantis basin

T 01902 83 74 36
W www.ashtonandbentley.co.uk
E info@ashtonandbentley.co.uk

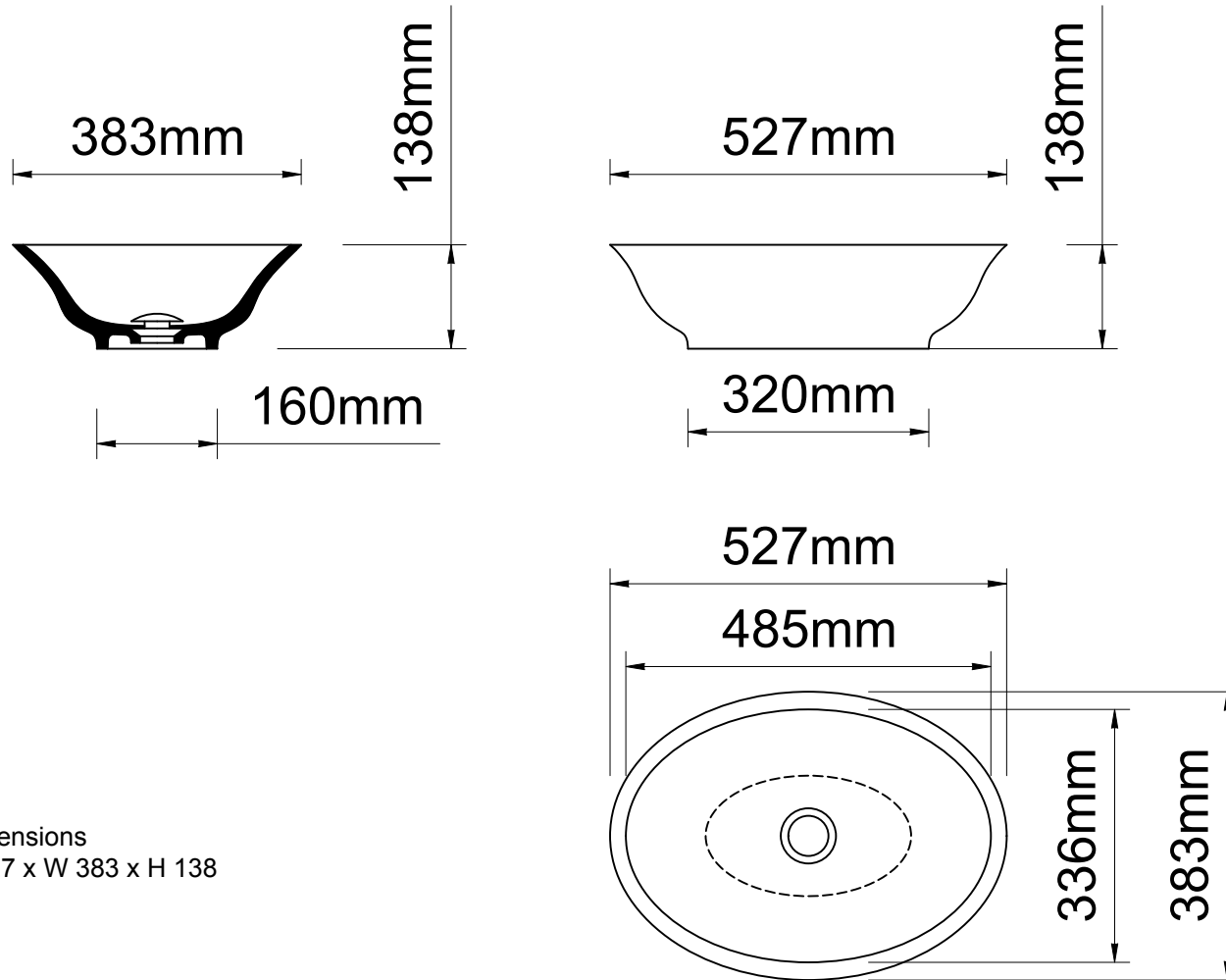
The Design Studio | Creative Industries Centre
Wolverhampton Science Park | WV10 9TG

Notes

Taps, accessories and assembly parts are not included and must be purchased separately.

Important

All dimensions listed are nominal. Being cast products they are subject to a size variance of +/- 2% tolerances.



Dimensions
L 527 x W 383 x H 138

B	13.03.20	LENGTH, WIDTH AND HEIGHT DIMENSIONS AMENDED	MF	MF
A	11.01.19	UPDATED TO ACTUAL DIMENSIONS	MF	MF
-	20.12.18	DRAWING CREATED	MF	MF

REV	DATE	DESCRIPTION	DRAWN	CHECKED
-----	------	-------------	-------	---------

DRAWING TITLE
Atlantis basin

SCALE	PAPER SIZE	DATE	DRAWN	CHECKED
1:10	A4	20/12/18	CADS	CADS

DRAWING No	REVISION
ATL-BAS-01	- B

Do not scale from this drawing, only dimensions given should be used. For illustrative purposes only, not for manufacture