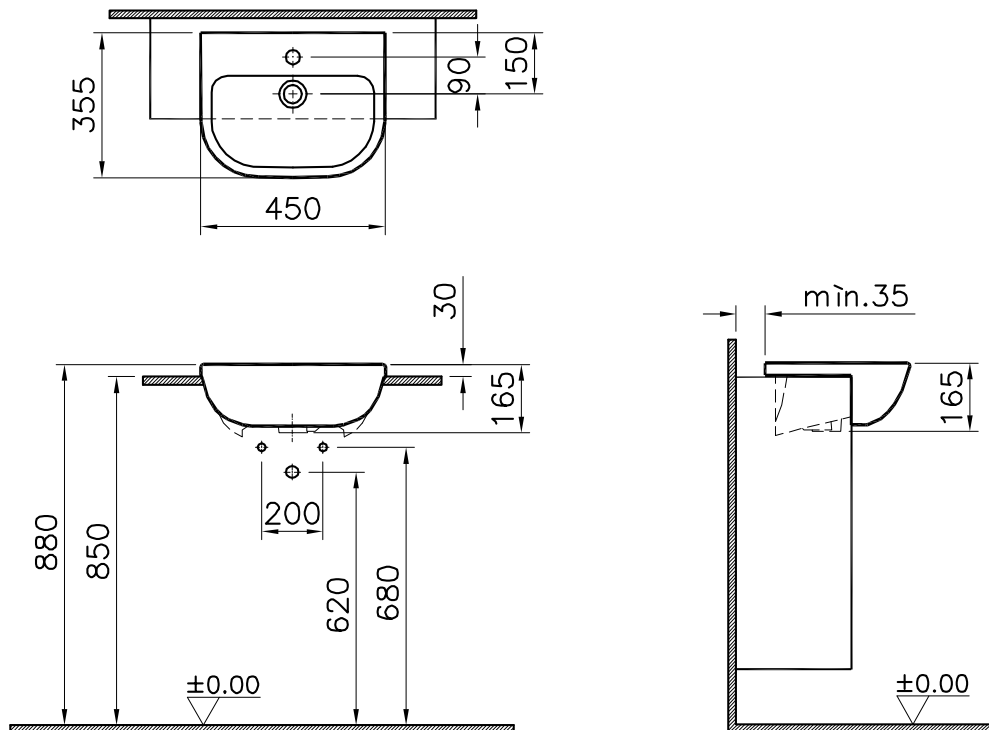


Description: Reduced Depth Basin
Tap Holes: 1 Tap Hole & Overflow
Weight (kg): 10.5
Material: Vitreous China



Technical Drawing



*We reserve the right to make technical modifications and alter colours without prior notice.