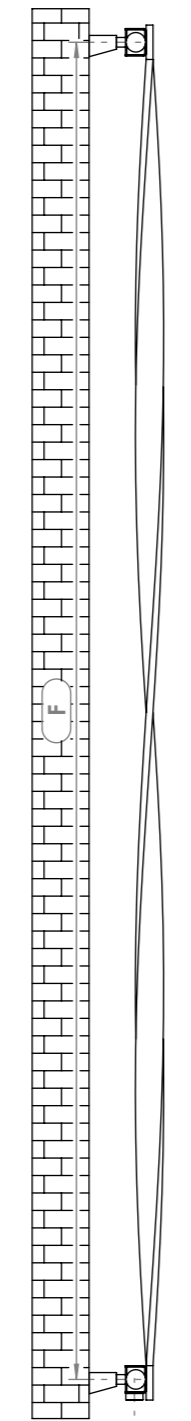
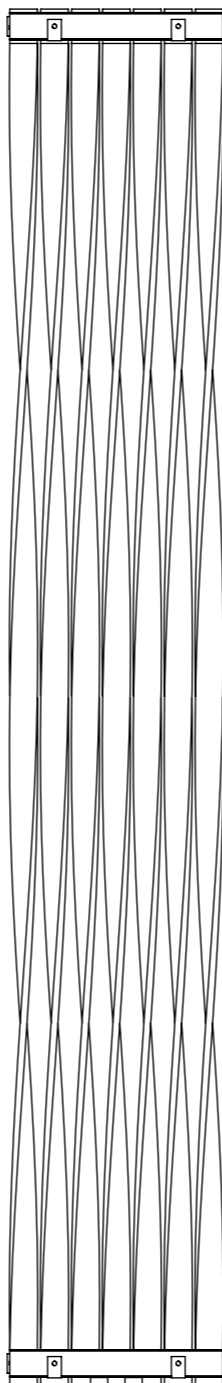


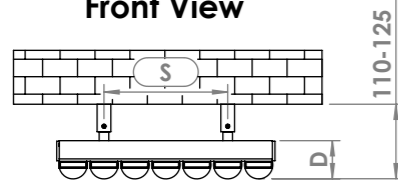
Front View



Side View





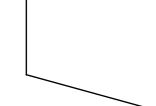



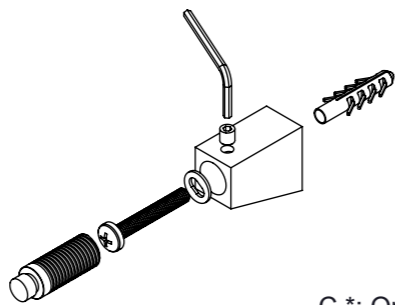
Back View



Top View

Installation Accessories:

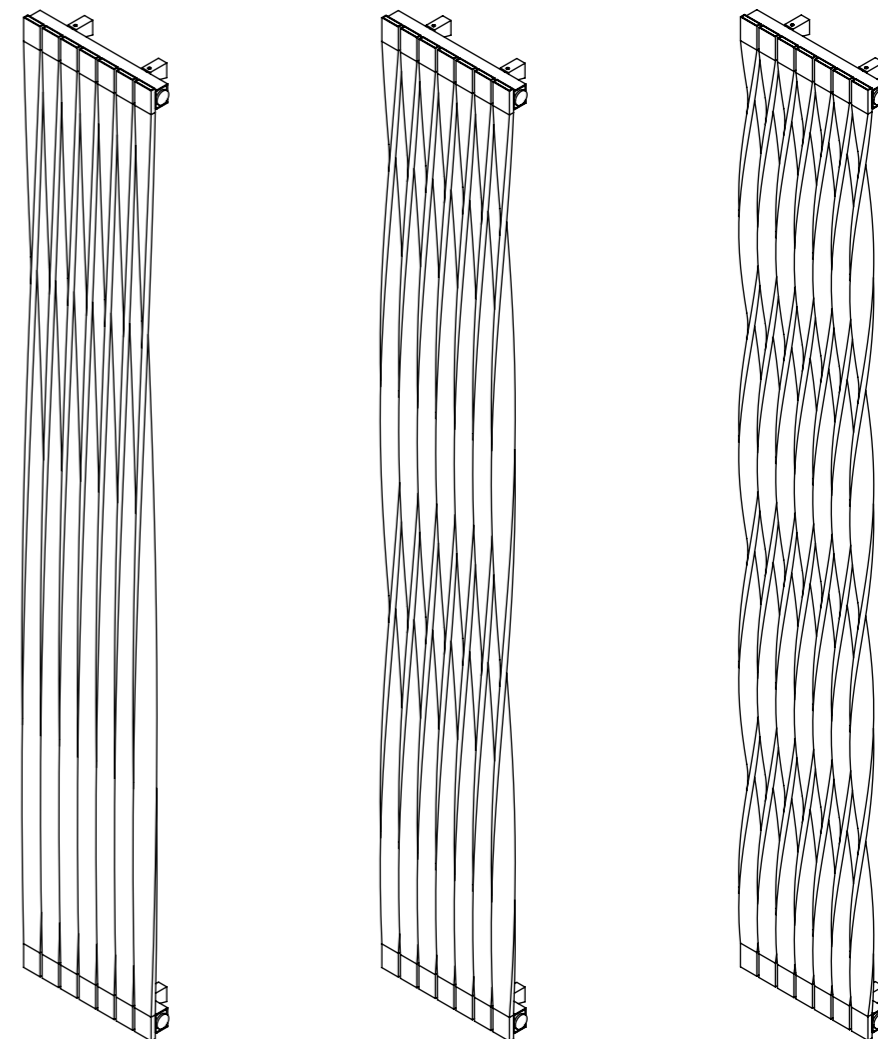
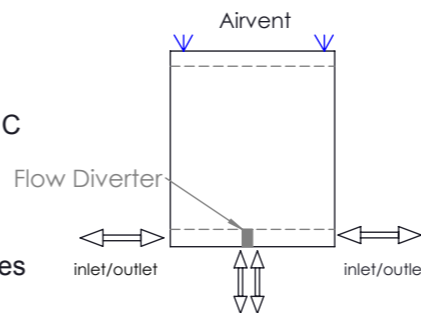
-  x4
-  x4
-  x4
-  x4
-  x4
-  x1



Vertical mount
 All Dimensions are in mm
 Max. Working Pressure: 8 Bar
 Max. Working Temperature: 95° C
 Inlet / Outlet : 1/2" BSP
 Fuel : H & E/H/D

C * : Only available for minimum seven profiles
 Manufacturing Tolerance : - 5 mm

Plumbing Position: Vertical



Twister 180°

Twister 360°

Twister 720°

Twister Degrees	Height	Length	Depth	Pipe Centres	Bracket Centres	Heat Output	
	H mm	L mm	D mm	C1-C mm	F mm S mm	BTU	Watts
180	1500	220	55	50	1445 90	2015	590
360	1500	220	55	50	1445 90	2015	590
180	1500	310	55	50-400	1445 180	2821	826
360	1500	310	55	50-400	1445 180	2821	826
180	1500	400	55	50-490	1445 270	3627	1062
360	1500	400	55	50-490	1445 270	3627	1062
180	1800	220	55	50	1745 90	2384	698
360	1800	220	55	50	1745 90	2384	698
180	1800	310	55	50-400	1745 180	3337	977
360	1800	310	55	50-400	1745 180	3337	977
180	1800	400	55	50-490	1745 270	4290	1256
360	1800	400	55	50-490	1745 270	4290	1256
180	2000	220	55	50	1945 90	2647	775
360	2000	220	55	50	1945 90	2647	775
720	2000	220	55	50	1940 90	2647	775
180	2000	310	55	50-400	1945 180	3706	1085
360	2000	310	55	50-400	1945 180	3706	1085
720	2000	310	55	50-400	1940 180	3706	1085
180	2000	400	55	50-490	1945 270	4765	1395
360	2000	400	55	50-490	1945 270	4765	1395
720	2000	400	55	50-490	1940 270	4765	1395