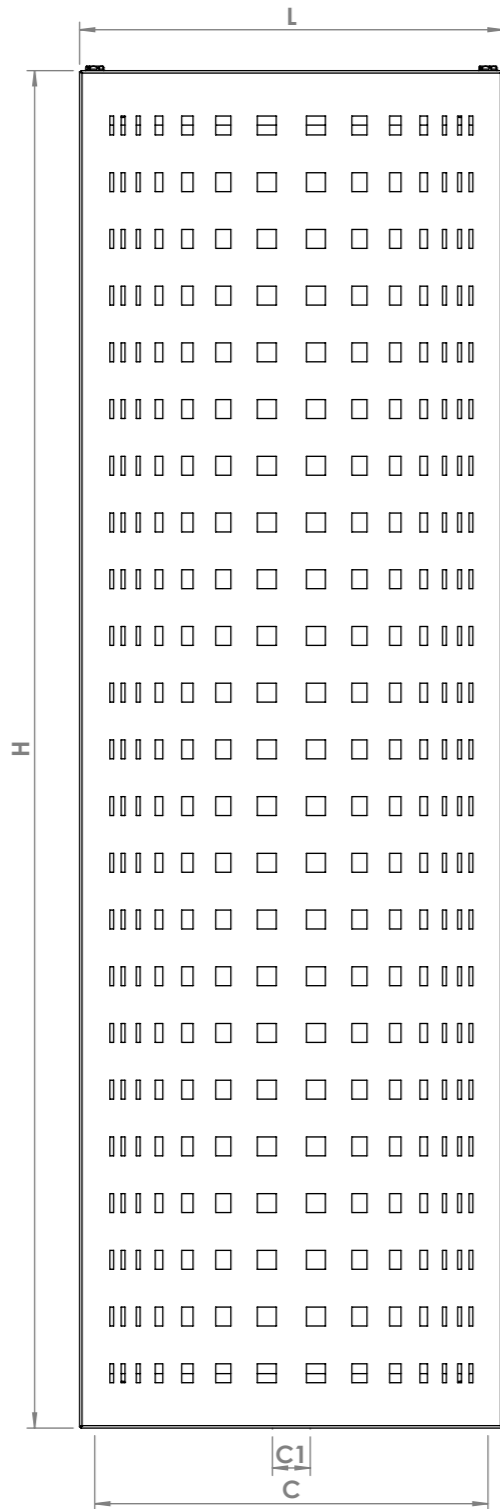
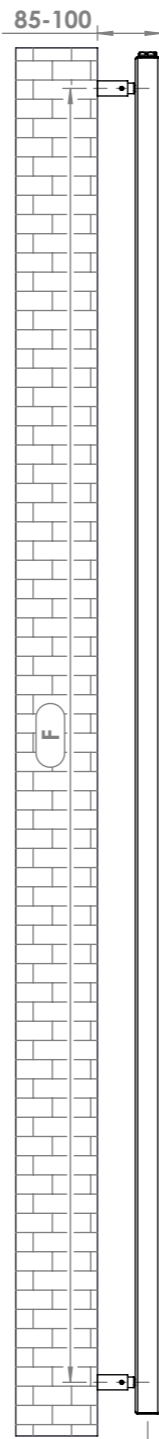


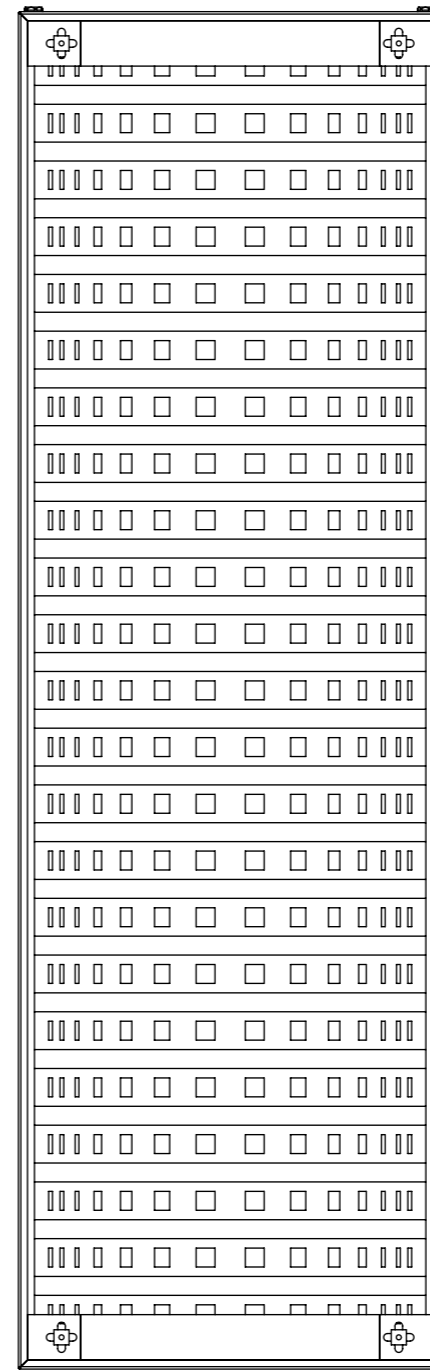
RENDE H



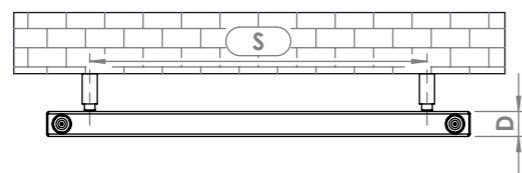
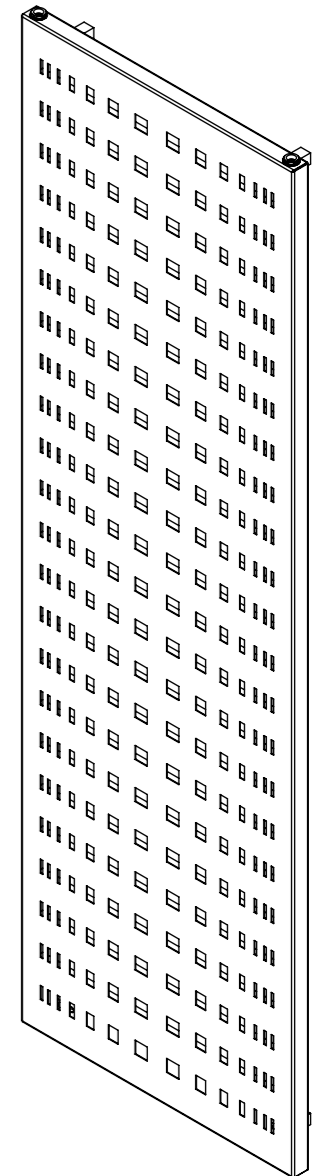
Front View



Side View

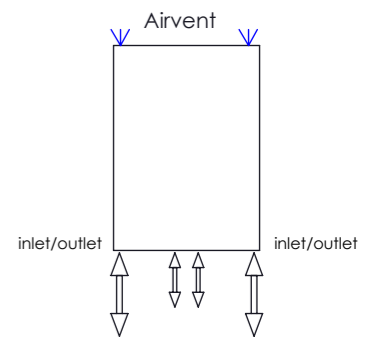


Back View



Top View







Plumbing Position:

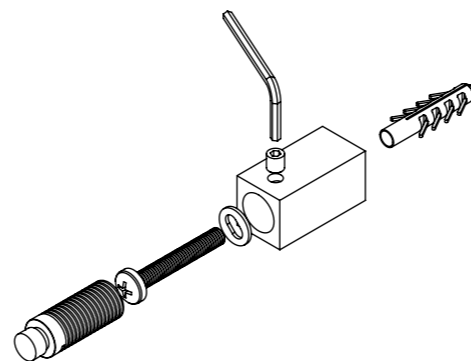


Vertical/horizontal mount
 All Dimensions are in mm
 Max. Working Pressure: 10 Bar
 Max. Working Temperature: 120° C
 Inlet / Outlet : 1/2" BSP
 Fuel : E/H/D

Manufacturing Tolerance : - 5 mm

Installation Accessories:

-  x4  x4
-  x4  x4
-  x4  x1



Luxury Bathroom Solutions

Height	Length	Depth	Pipe Centres	Bracket Centres	Heat Output		
H	L	D	C-C1	F	S	BTU	Watts
mm	mm	mm	mm	mm	mm		
1800	560	33	520-50	445	1710	2261	662
2000	560	33	520-50	445	1910	2489	729