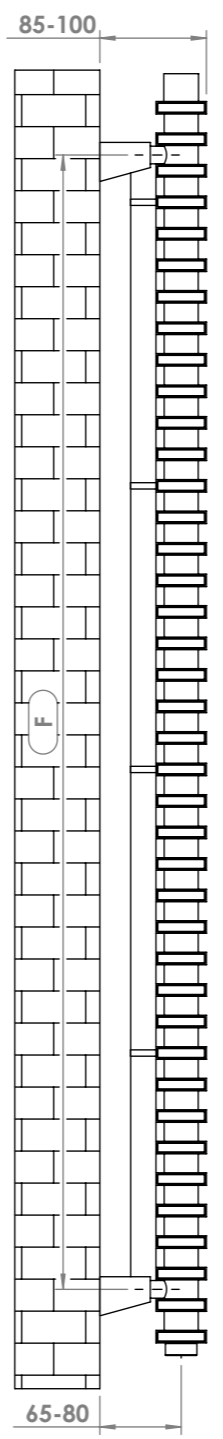
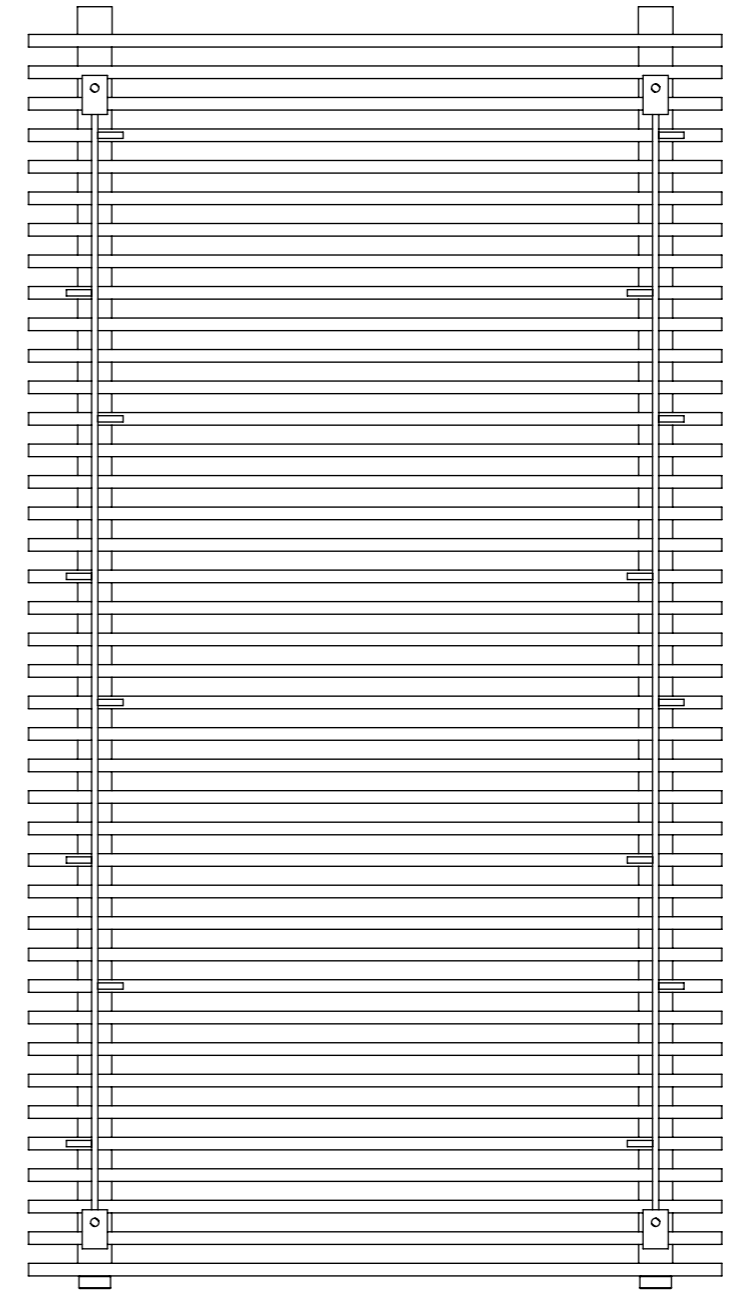


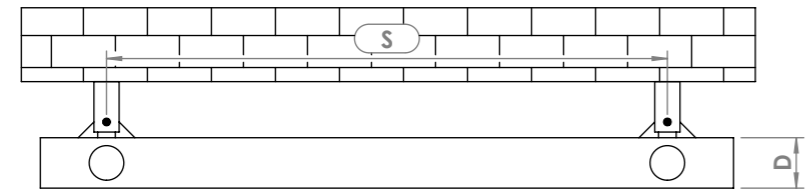
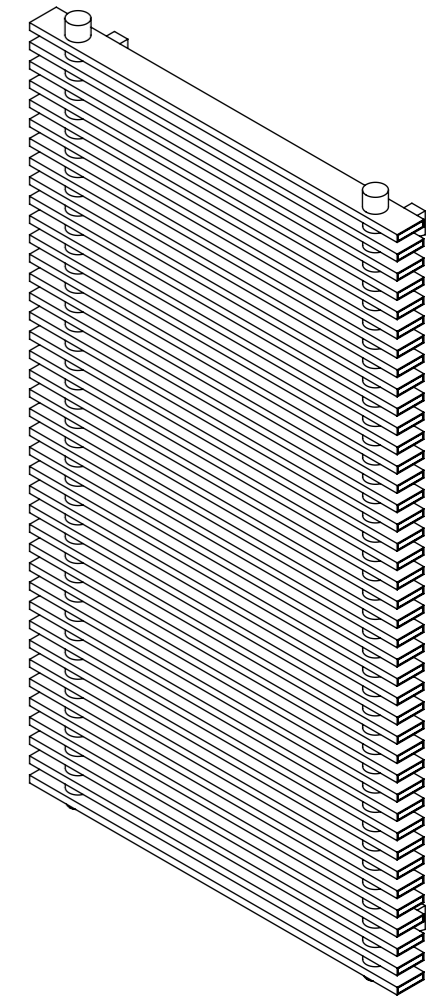
Front View



Side View


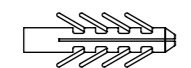

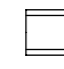
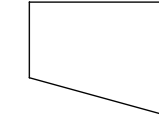
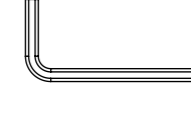


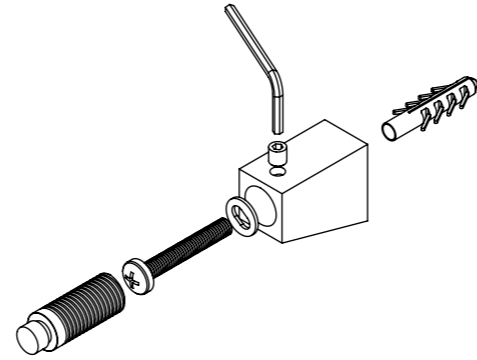
Back View



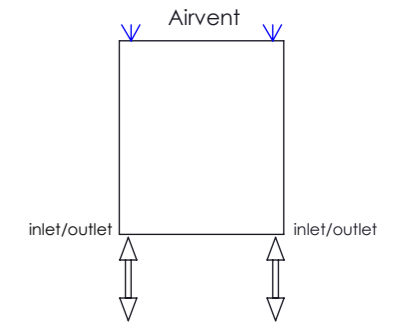
Top View

Installation Accessories:

-  x4  x4
-  x4  x4
-  x4  x1



Plumbing Position:



Vertical/horizontal mount
 All Dimensions are in mm
 Max. Working Pressure: 10 Bar
 Max. Working Temperature: 120° C
 Inlet / Outlet : 1/2" BSP
 Fuel : E/H/D

Manufacturing Tolerance : - 5 mm

Luxury Bathroom Solutions

Height	Length	Depth	Pipe Centres	Bracket Centres	Heat Output		
H	L	D	C	F	S	BTU	Watts
mm	mm	mm	mm	mm	mm		
510	550	40	445	400	445	3039	890
1010	550	40	445	900	445	6079	1780
1510	550	40	445	700-700	445	9118	2670