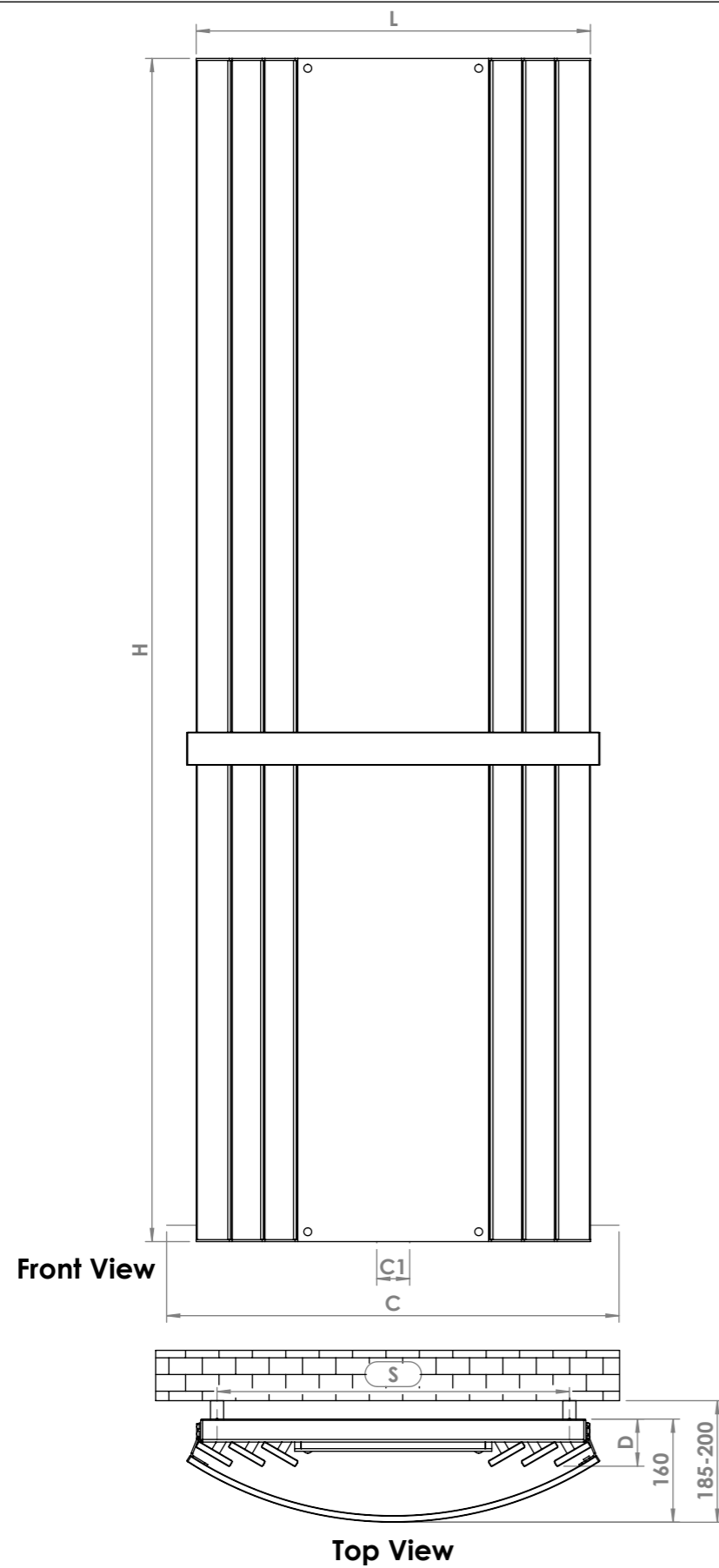
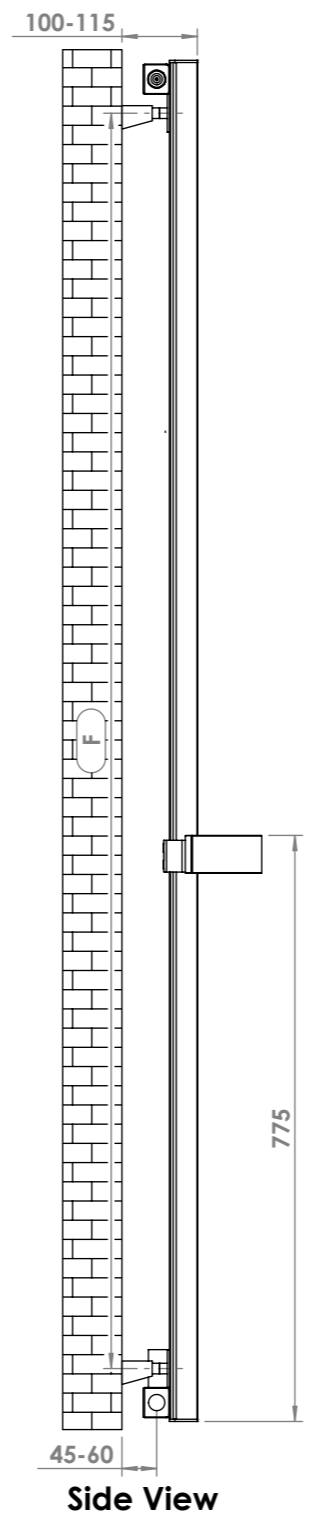


# PANACEA MIRROR

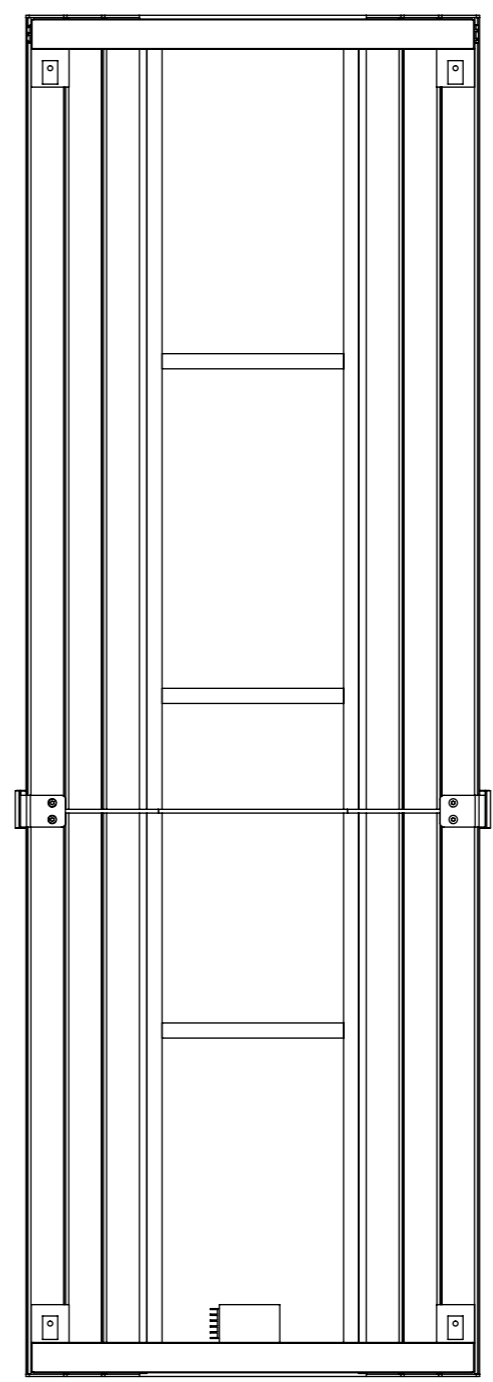


Front View

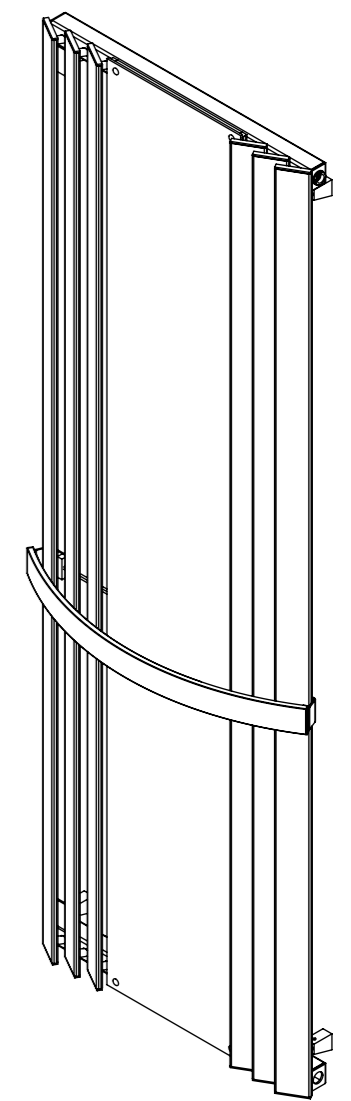
Top View



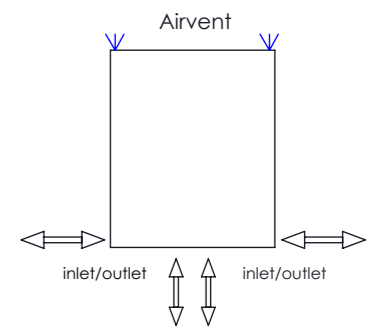
Side View




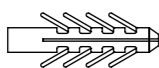

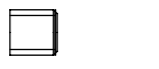
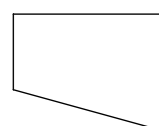

Back View

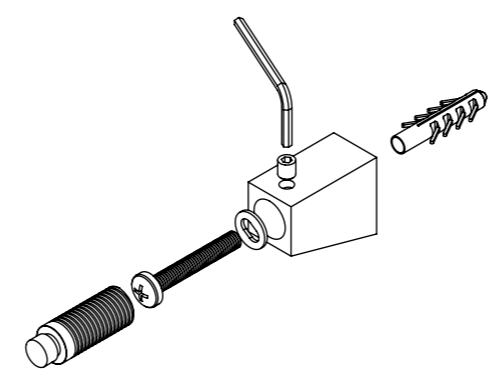


### Plumbing Position:



### Installation Accessories:

-  x4
-  x4
-  x4
-  x4
-  x4
-  x1



Luxury Bathroom Solutions

Vertical mount  
 All Dimensions are in mm  
 Max. Working Pressure: 8 Bar  
 Max. Working Temperature: 120° C  
 Inlet / Outlet : 1/2" BSP  
 Fuel : E/H/D

Manufacturing Tolerance : - 5 mm

Height H	Length L	Depth D	Pipe Centres C1-C	Bracket Centres		Heat Output	
				F	S	BTU	Watts
1800	600	70	50-675	1660	535	3002	879