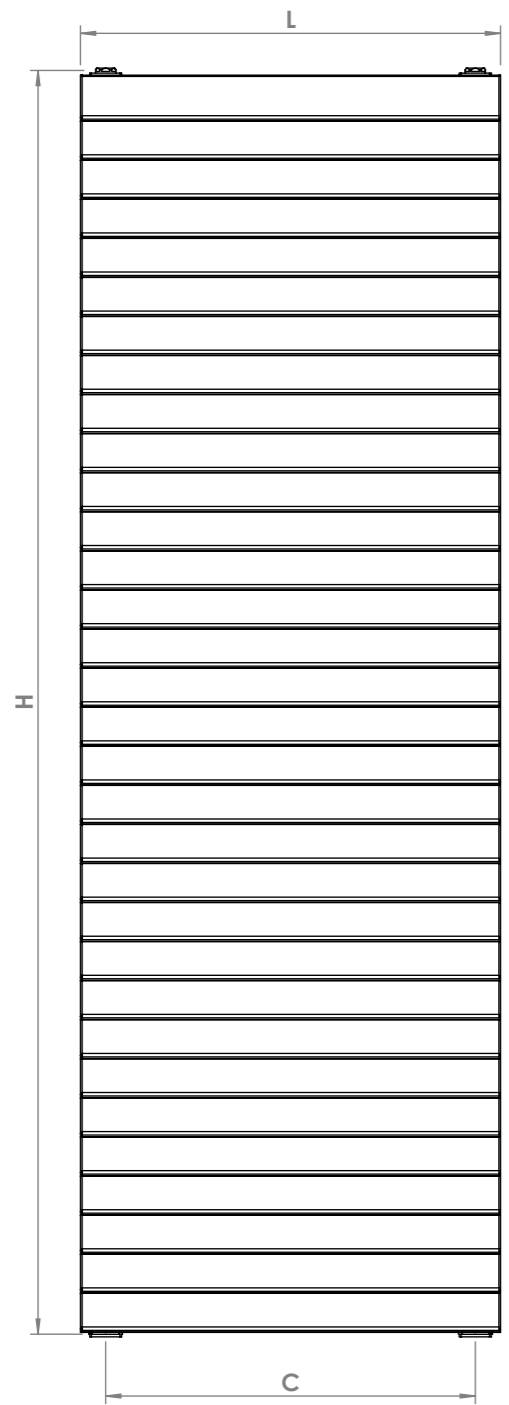
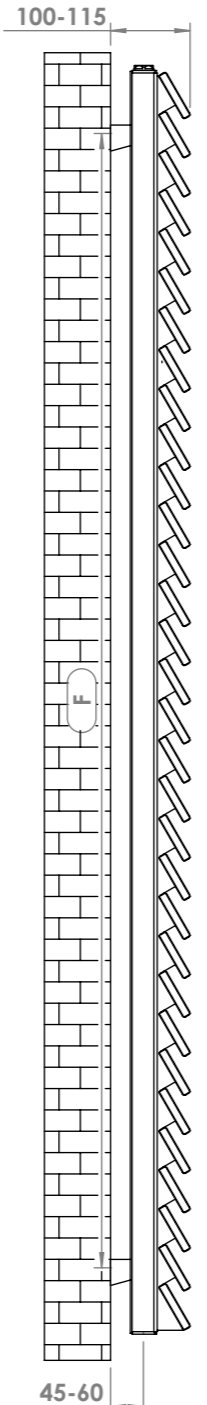


Luxury Bathroom Solutions

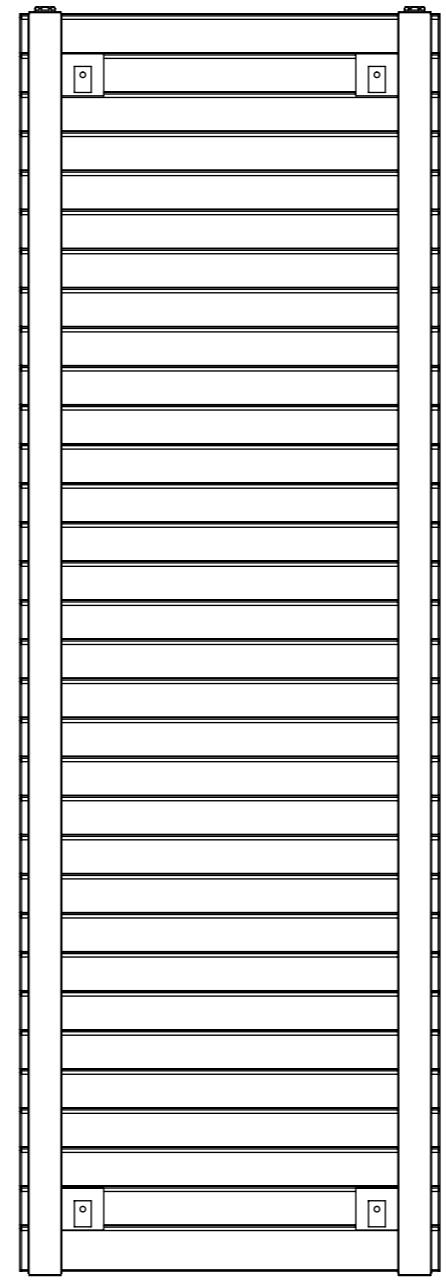
PANACEA E



Front View

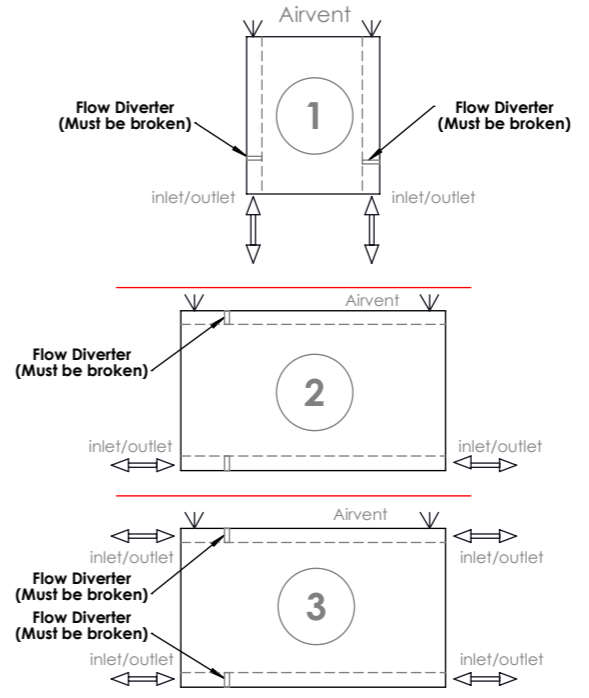


Side View



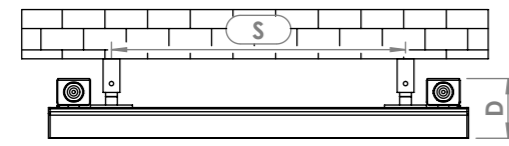
Back View

Plumbing Positions:




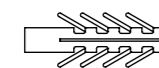

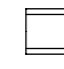
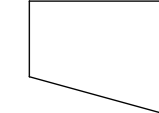
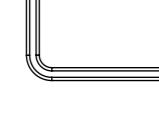
Please break the flow diverter according to the plumbing position

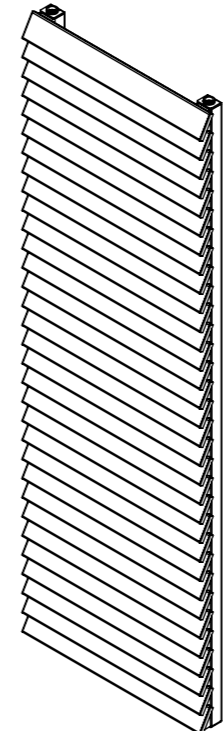
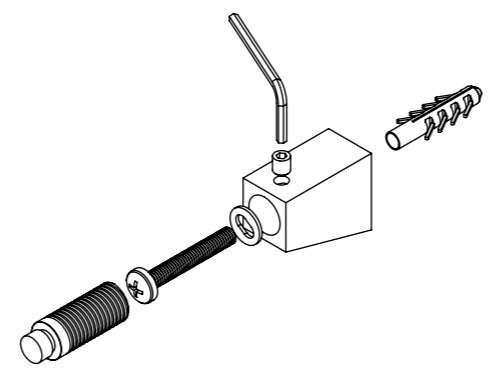
Vertical / Horizontal Mount
 All Dimensions are in mm
 Max. Working Pressure: 8 Bar
 Max. Working Temperature: 120° C
 Inlet / Outlet : 1/2" BSP
 Fuel : E/H/D
 Manufacturing Tolerance : - 5 mm



Top View

Installation Accessories:

-  x4
-  x4
-  x4
-  x4
-  x4
-  x1



Height	Length	Depth	Pipe Centres	Bracket Centres	Heat Output		
H	L	D	C	F	S	BTU	Watts
mm	mm	mm	mm	mm	mm		
480	400	75	340	330	250	1147	336
480	500	75	440	330	350	1434	420
480	600	75	540	330	450	1721	504
480	700	75	640	330	550	2008	588
480	800	75	740	330	650	2295	672
480	900	75	840	330	750	2582	756
480	1000	75	940	330	850	2869	840
480	1200	75	1140	330	1050	3442	1008
480	1400	75	1340	330	1250	4016	1176
480	1500	75	1440	330	1350	4303	1260
480	1600	75	1540	330	1450	4590	1344
480	1700	75	1640	330	1550	4877	1428
480	1800	75	1740	330	1650	5163	1512
480	2000	75	1940	330	1850	5737	1680
620	400	75	340	470	250	1492	437
620	500	75	440	470	350	1865	546
620	600	75	540	470	450	2238	655
620	700	75	640	470	550	2610	764
620	800	75	740	470	650	2983	874
620	900	75	840	470	750	3356	983
620	1000	75	940	470	850	3729	1092
620	1200	75	1140	470	1050	4475	1310
620	1400	75	1340	470	1250	5221	1529
620	1500	75	1440	470	1350	5594	1638
620	1600	75	1540	470	1450	5967	1747
620	1700	75	1640	470	1550	6340	1856
620	1800	75	1740	470	1650	6713	1966
620	2000	75	1940	470	1850	7458	2184
1035	400	75	340	885	250	2524	739
1035	500	75	440	885	350	3155	924
1035	600	75	540	885	450	3787	1109
1175	400	75	340	1025	250	2869	840
1175	500	75	440	1025	350	3586	1050
1175	600	75	540	1025	450	4303	1260
1500	400	75	340	1350	250	3672	1075
1500	500	75	440	1350	350	4590	1344
1500	600	75	540	1350	450	5508	1613
1825	400	75	340	1675	250	4475	1310
1825	500	75	440	1675	350	5594	1638
1825	600	75	540	1675	450	6713	1966
2015	400	75	340	1865	250	4934	1445
2015	500	75	440	1865	350	6167	1806
2015	600	75	540	1865	450	7401	2167