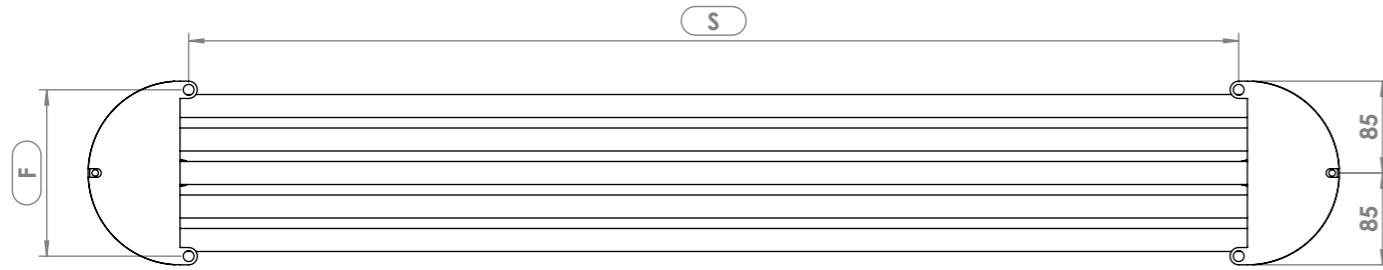
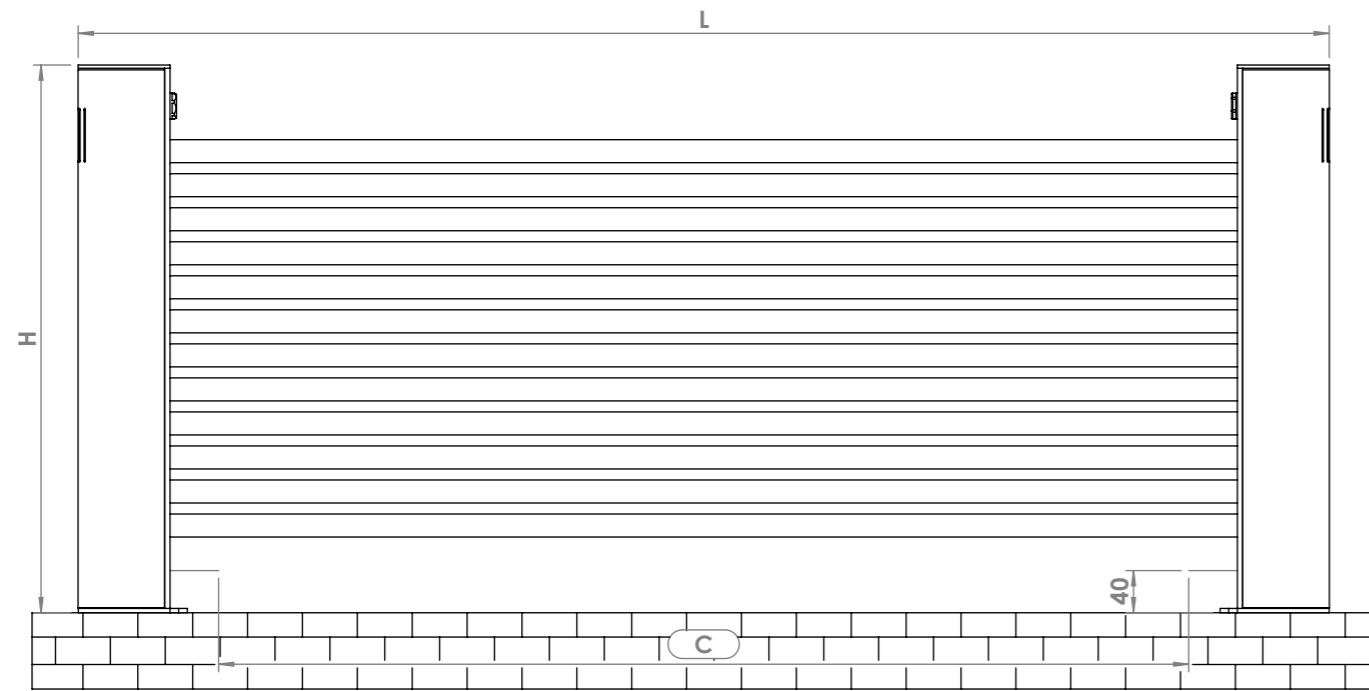


Luxury Bathroom Solutions

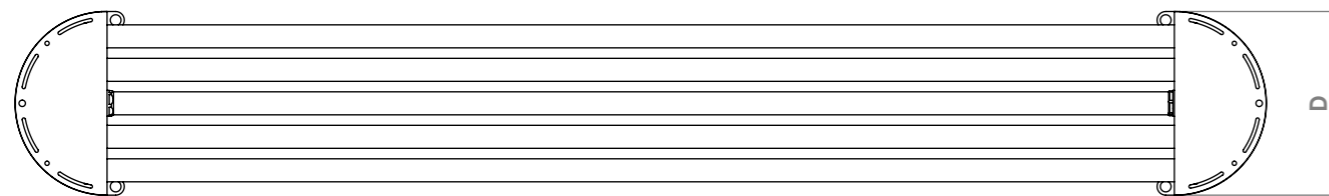
OTTOMAN



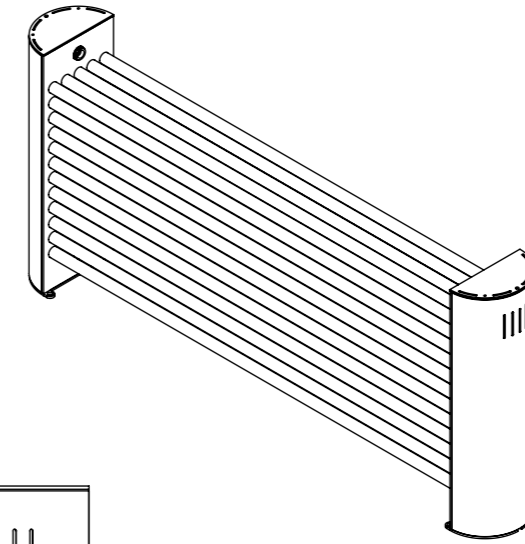
Bottom View



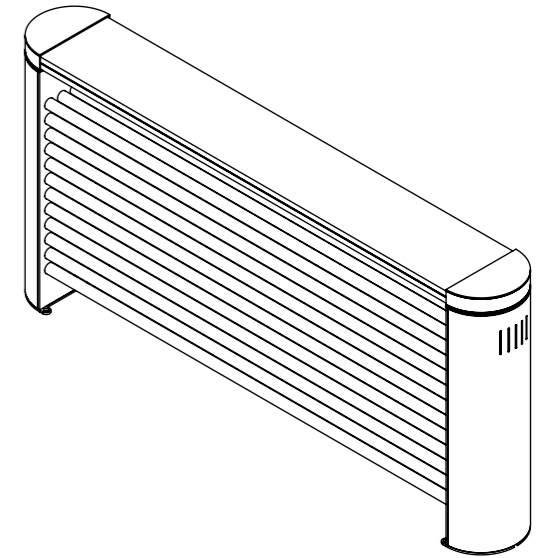
Front View



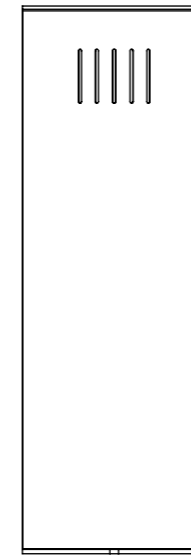
Top View



Ottoman

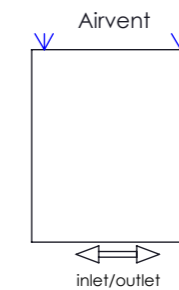


Ottoman *OGT Accessories*



Side View

Plumbing Position:



Vertical mount / Freestanding
 All Dimensions are in mm
 Max. Working Pressure: 10 Bar
 Max. Working Temperature: 120° C
 Inlet / Outlet : 1/2" BSP
 Fuel : H

Manufacturing Tolerance : - 5 mm

Number of bars	Height	Length	Depth	Pipe Centres	Bracket Centres	Heat Output		
	H mm	L mm	D mm	C mm	F mm	S mm	BTU	Watts
27	500	970	170	710	784	154	5356	1571
31	500	970	170	710	784	154	6037	1771
49	500	970	170	710	784	154	8949	2624
60	500	970	170	710	784	154	13423	3936
27	500	1170	170	910	984	154	6695	1963
31	500	1170	170	910	984	154	7547	2213
49	500	1170	170	910	984	154	11187	3281
60	500	1170	170	910	984	154	16779	4920
27	500	1470	170	1210	1284	154	8703	2552
31	500	1470	170	1210	1284	154	9811	2877
49	500	1470	170	1210	1284	154	14543	4265
60	500	1470	170	1210	1284	154	21812	6397
27	500	1670	170	1410	1484	154	9372	2748
31	500	1670	170	1410	1484	154	10504	3080
49	500	1670	170	1410	1484	154	15565	4564
60	500	1670	170	1410	1484	154	23351	6848

Installation Accessories:

