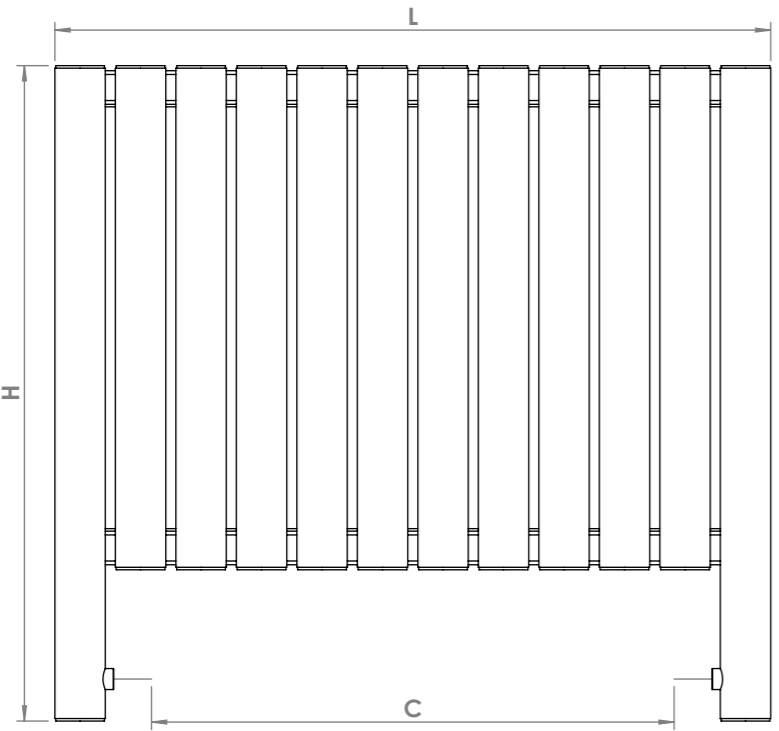
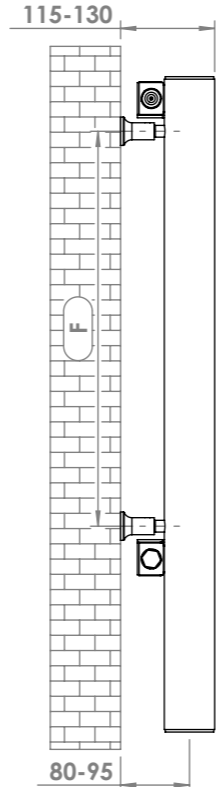


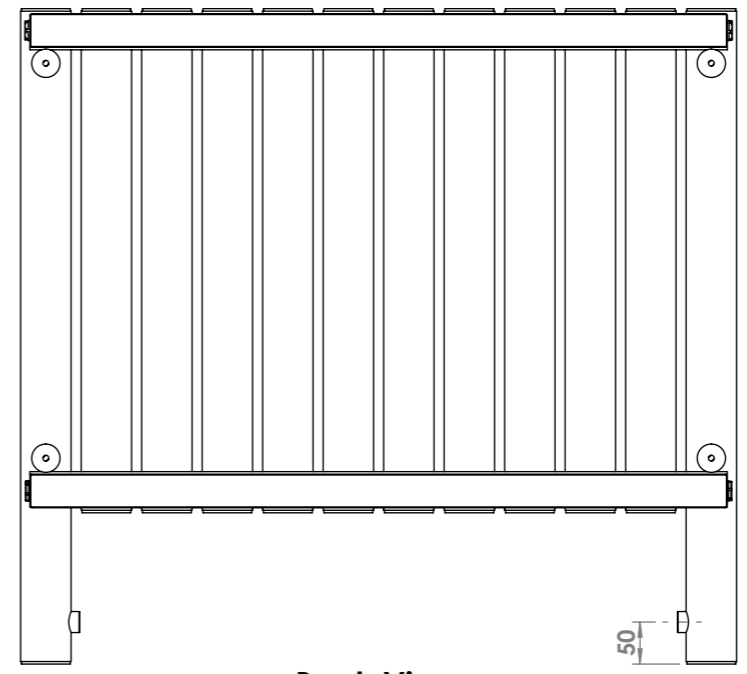
Luxury Bathroom Solutions *MYSTIC L*



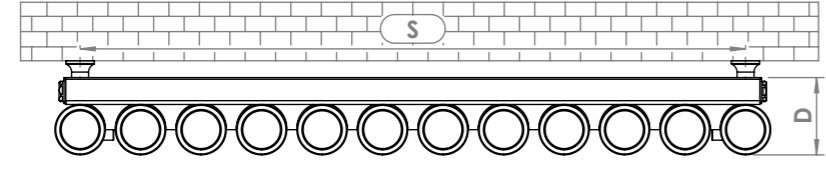
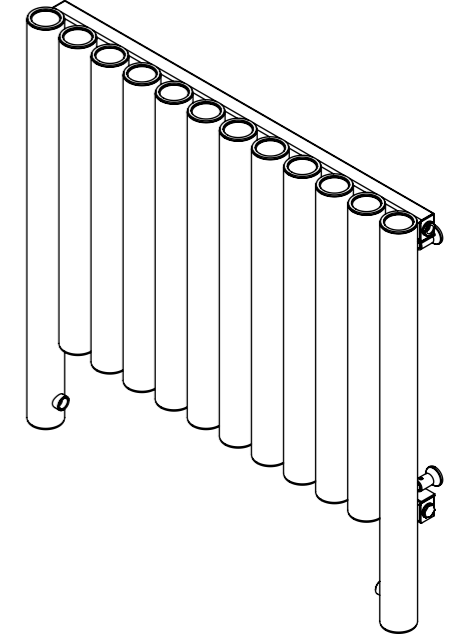
Front View



Side View

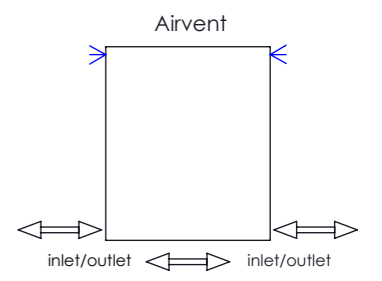


Back View



Top View

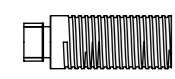
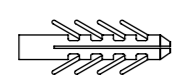

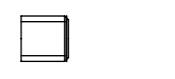
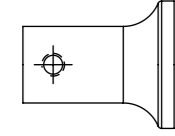
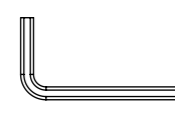
Plumbing Position:

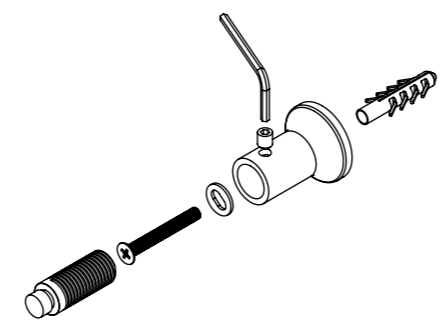


Vertical mount
 All Dimensions are in mm
 Max. Working Pressure: 10 Bar
 Max. Working Temperature: 120° C
 Inlet / Outlet : 1/2" BSP
 Fuel : E/H/D

Manufacturing Tolerance : - 5 mm

Installation Accessories:

-  x4  x4
-  x4  x4
-  x4  x1



Height	Length	Depth	Pipe Centres	Bracket Centres	Heat Output		
H	L	D	C	F	S	BTU	Watts
mm	mm	mm	mm	mm	mm		
780	550	90	320	470	490	2842	832
780	620	90	390	470	560	3197	936
780	690	90	460	470	630	3552	1040
780	830	90	600	470	770	4263	1248
780	970	90	740	470	910	4973	1456
780	1110	90	880	470	1050	5684	1664
780	1390	90	1160	470	1330	7104	2080