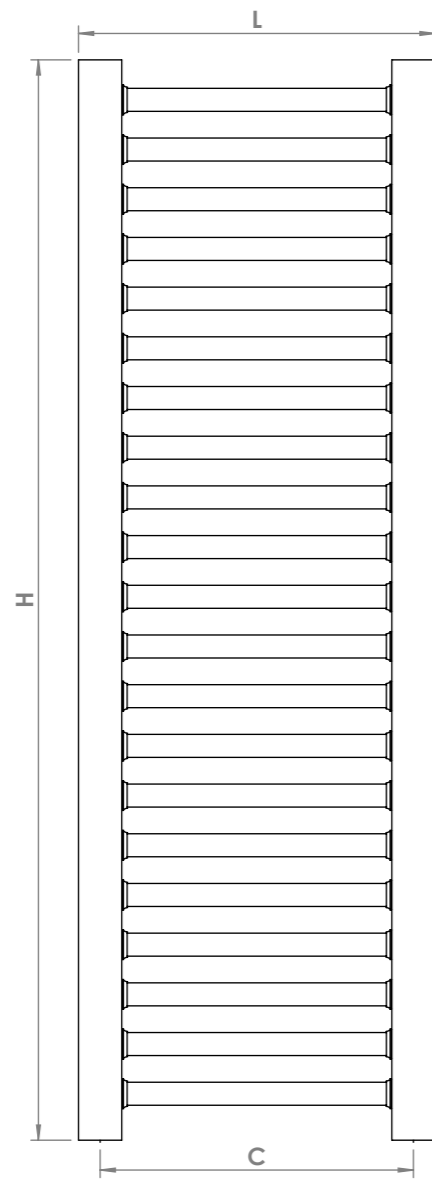
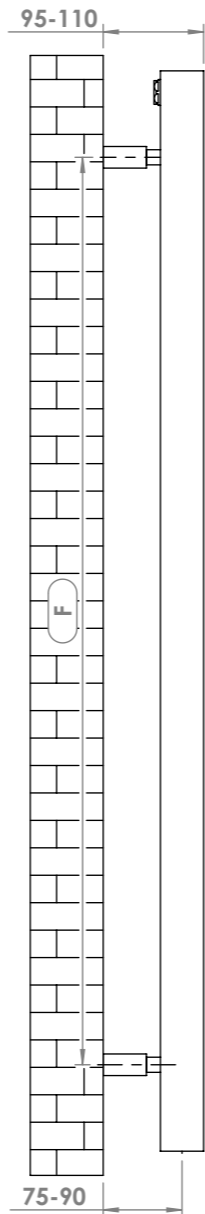


Luxury Bathroom Solutions

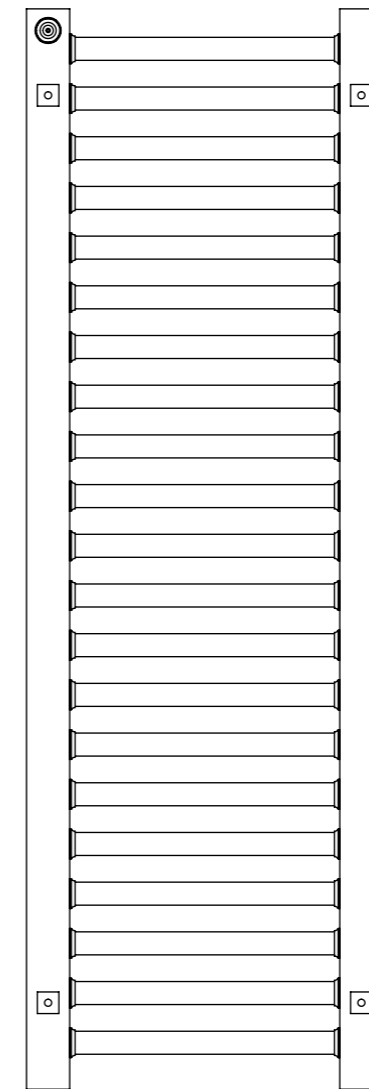
MERIDIEN



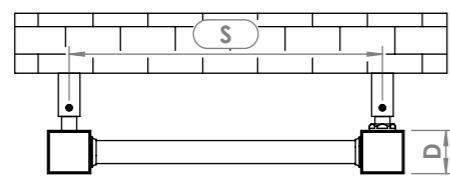
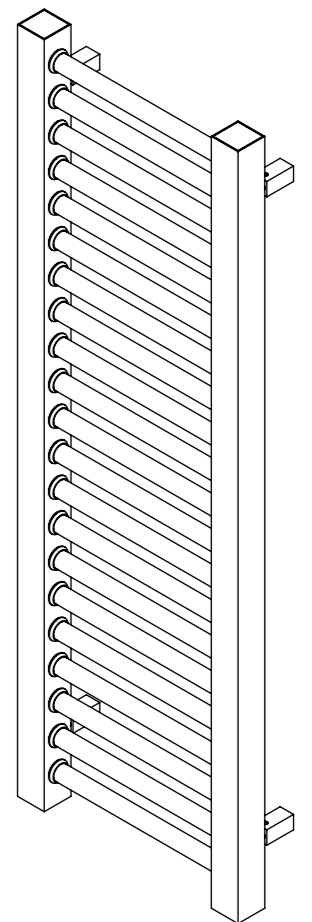
Front View



Side View

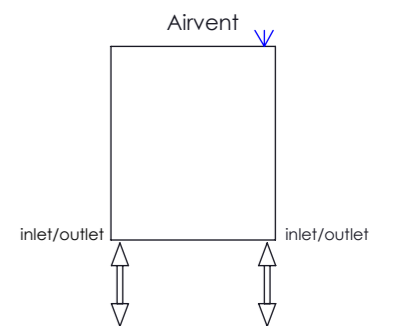


Back View



Top View




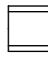


Plumbing Position:

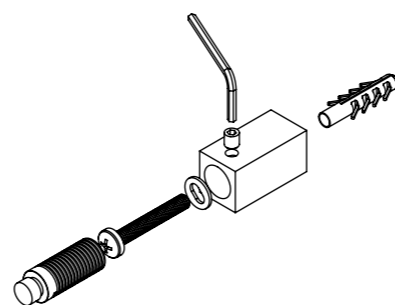


Vertical mount
 All Dimensions are in mm
 Max. Working Pressure: 10 Bar
 Max. Working Temperature: 120° C
 Inlet / Outlet : 1/2" BSP
 Fuel : E/H/D

Manufacturing Tolerance : - 5 mm

Installation Accessories:

-  x4  x4
-  x4  x4
-  x4  x1



Height	Length	Depth	Pipe Centres	Bracket Centres	Heat Output		
H	L	D	C	F	S	BTU	Watts
mm	mm	mm	mm	mm	mm		
1000	330	40	290	840	290	1766	517
1500	330	40	290	1340	290	2497	731
1800	330	40	290	1640	290	3173	929
2000	330	40	290	1840	290	3532	1034