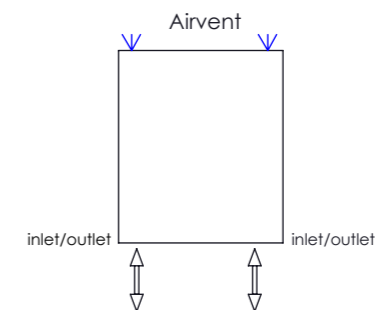
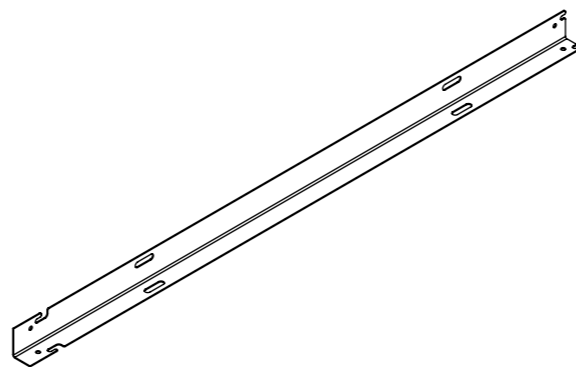
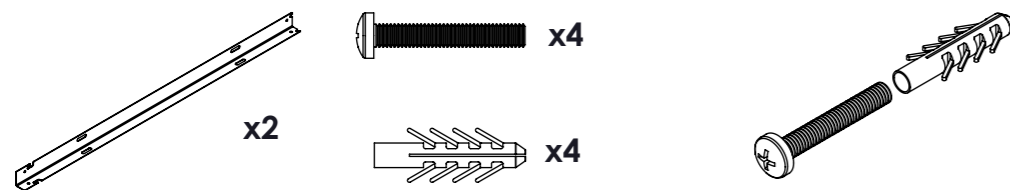


Plumbing Position:



Vertical mount
 All Dimensions are in mm
 Max.Working Pressure: 10 Bar
 Max.Working Temperature: 120° C
 Inlet / Outlet : 1/2" BSP
 Fuel : E/H/D
 Manufacturing Tolerance : - 5 mm

Installation Accessories:



Height H	Length L	Depth D	Pipe Centres C	Bracket Centres		Heat Output	
				F	S	BTU	Watts
845	600	60	520	375	407	1680	492
1285	600	60	520	575	407	2507	734
1725	600	60	520	987	407	3354	982