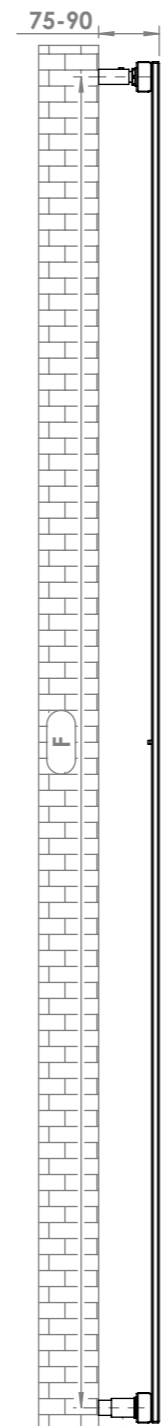
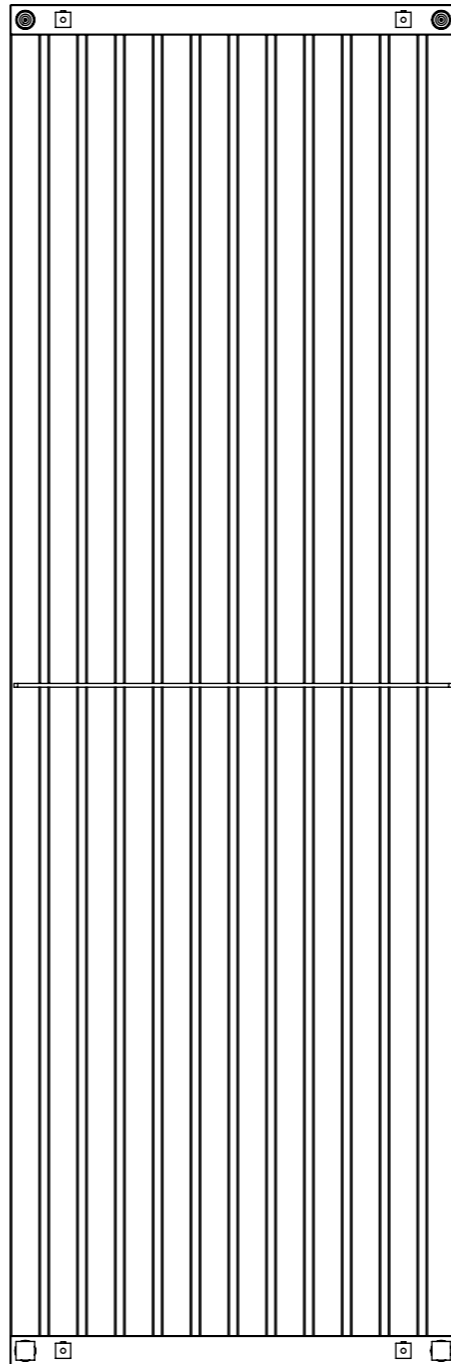


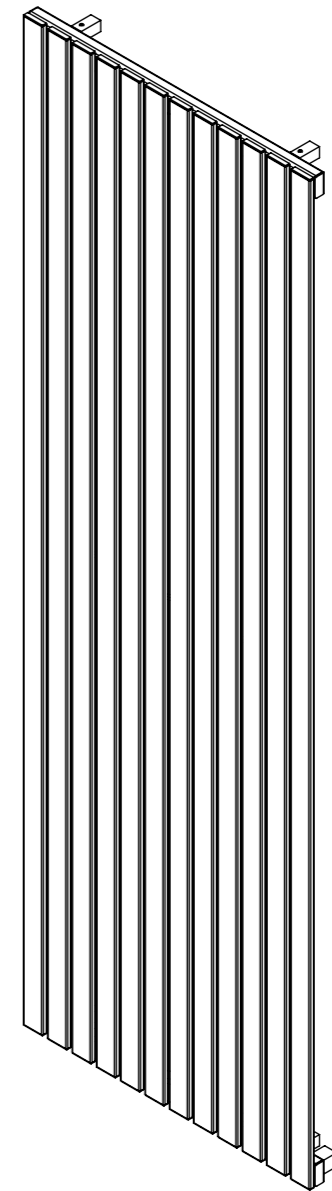
Front View



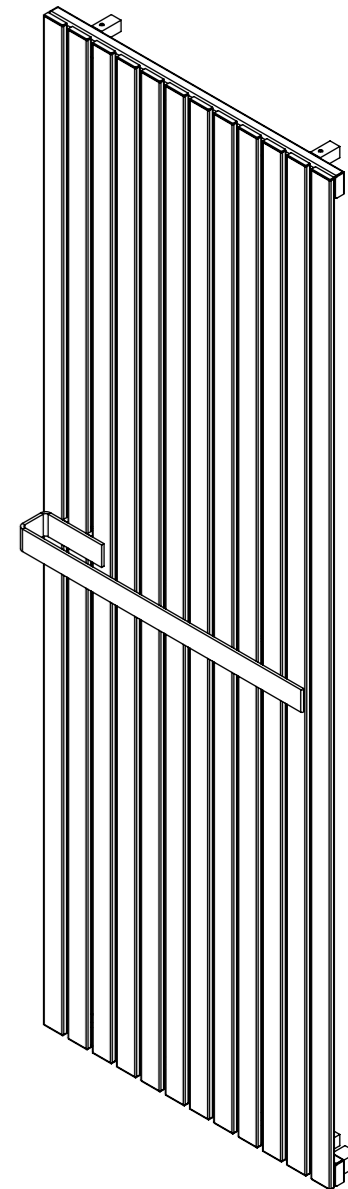
Side View



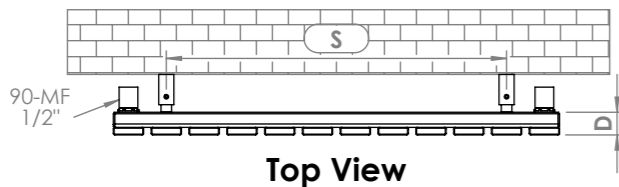
Back View



Lunar









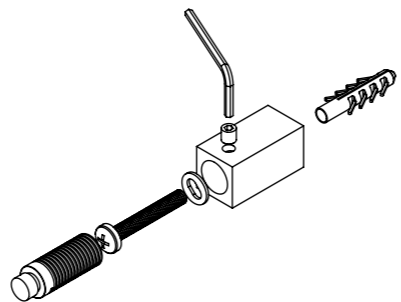
Lunar LTB Accessories



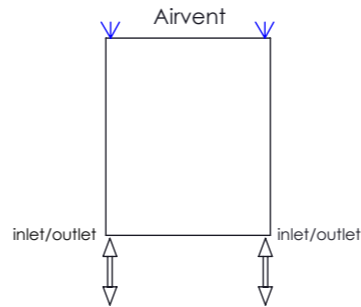
Top View

Installation Accessories:

-  **x4**  **x4**
-  **x4**  **x4**
-  **x4**  **x1**



Plumbing Position:



Vertical/horizontal mount
 All Dimensions are in mm
 Max. Working Pressure: 10 Bar
 Max. Working Temperature: 120° C
 Inlet / Outlet : 1/2" BSP
 Fuel : H

Manufacturing Tolerance : - 5 mm

Height	Length	Depth	Pipe Centres	Bracket Centres	Heat Output		
H	L	D	C	F	S	BTU	Watts
mm	mm	mm	mm	mm	mm		
1500	240	30	200	1460	100	1985	582
1500	340	30	300	1460	200	2779	815
1500	490	30	450	1460	350	3969	1164
1500	740	30	700	1460	600	5954	1746
1500	990	30	950	1460	850	7938	2328
1800	240	30	200	1760	100	2380	698
1800	340	30	300	1760	200	3332	977
1800	490	30	450	1760	350	4760	1396
1800	590	30	550	1760	450	5712	1675
2000	240	30	200	1960	100	2646	776
2000	340	30	300	1960	200	3703	1086
2000	490	30	450	1960	350	5292	1552
2000	590	30	550	1960	450	6349	1862