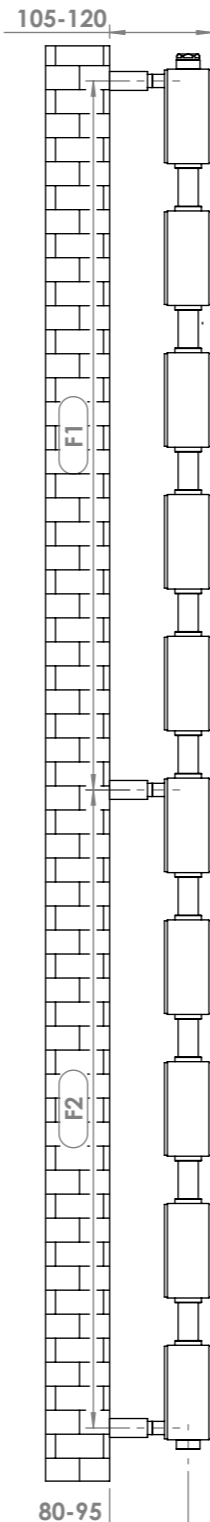
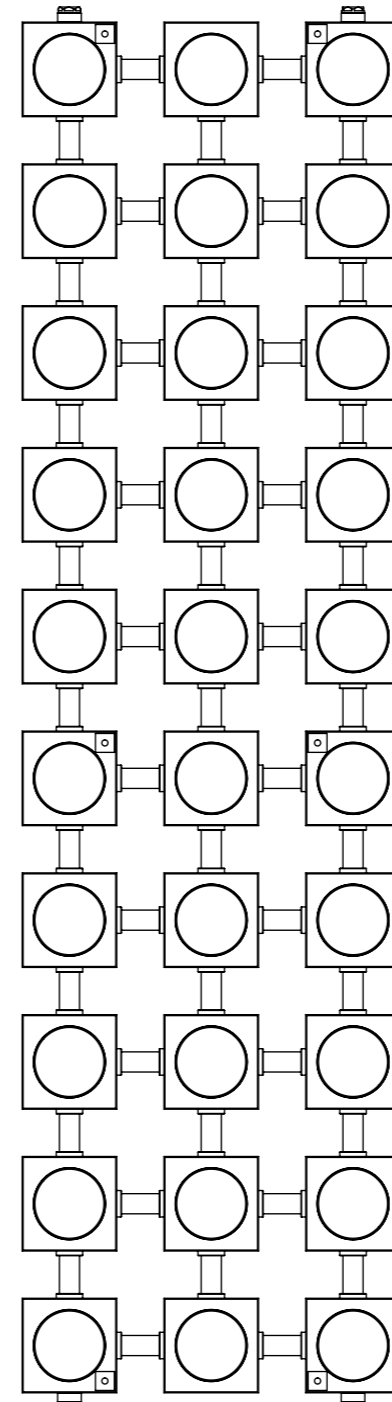


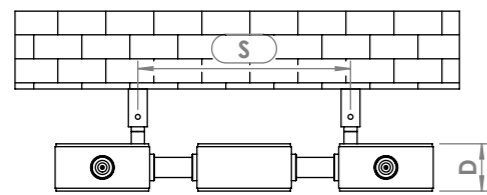
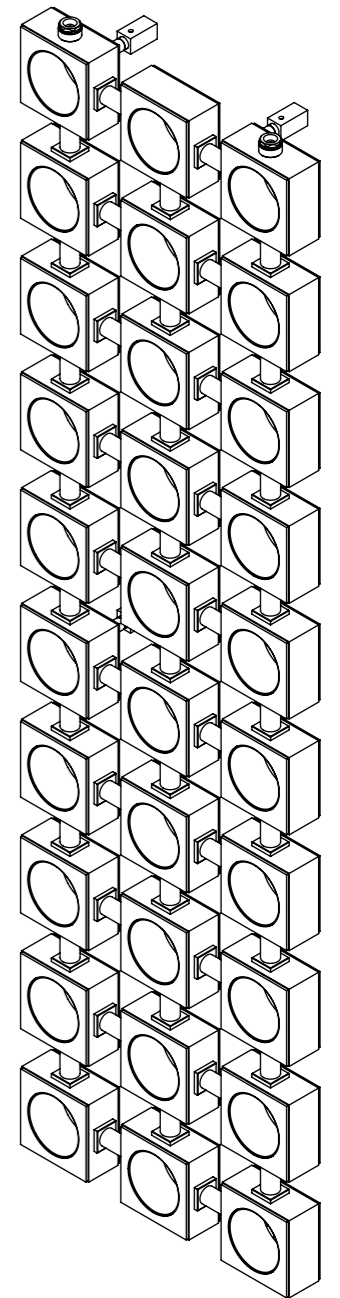
Front View



Side View

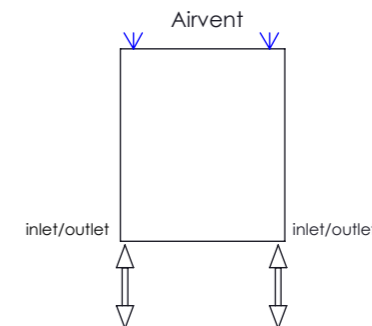


Back View



Top View







Plumbing Position:

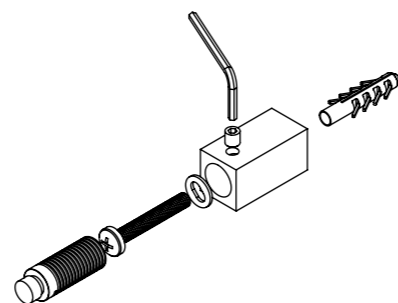


Vertical / Horizontal mount
 All Dimensions are in mm
 Max. Working Pressure: 10 Bar
 Max. Working Temperature: 120° C
 Inlet / Outlet : 1/2" BSP
 Fuel : H

Manufacturing Tolerance : - 5 mm

Installation Accessories:

-  x4  x4
-  x4  x4
-  x4  x1



Luxury Bathroom Solutions

Height H	Length L	Depth D	Pipe Centres C	Bracket Centres F1-F2	Bracket Centres S	Heat Output	
						BTU	Watts
570	400	50	300	525	225	2172	636
1020	400	50	300	975	225	3802	1113
1470	400	50	300	750-675	225	5431	1590
1770	400	50	300	900-825	225	5779	1692
2220	400	50	300	1125-1050	225	8146	2385