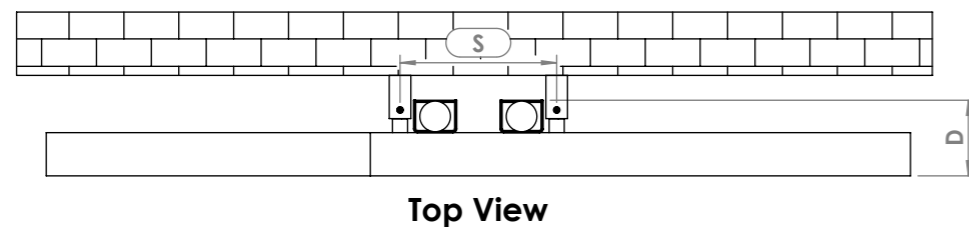
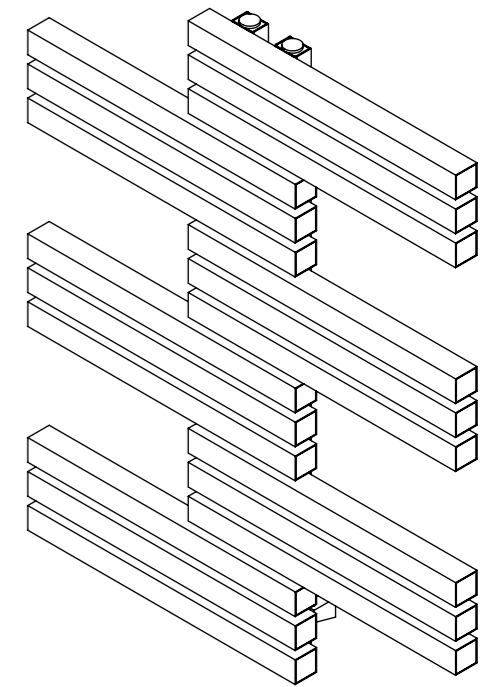
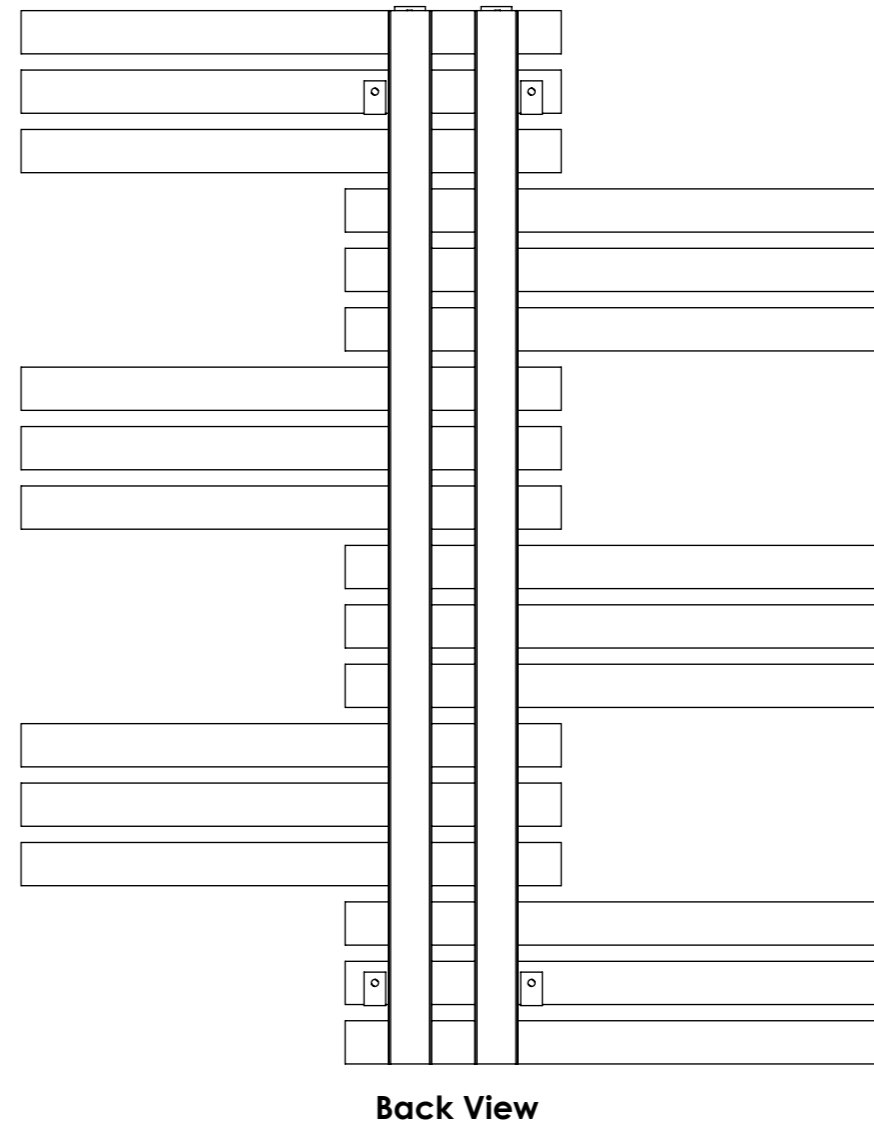
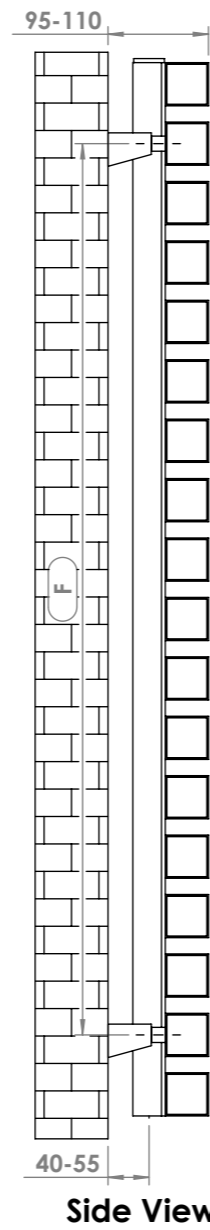
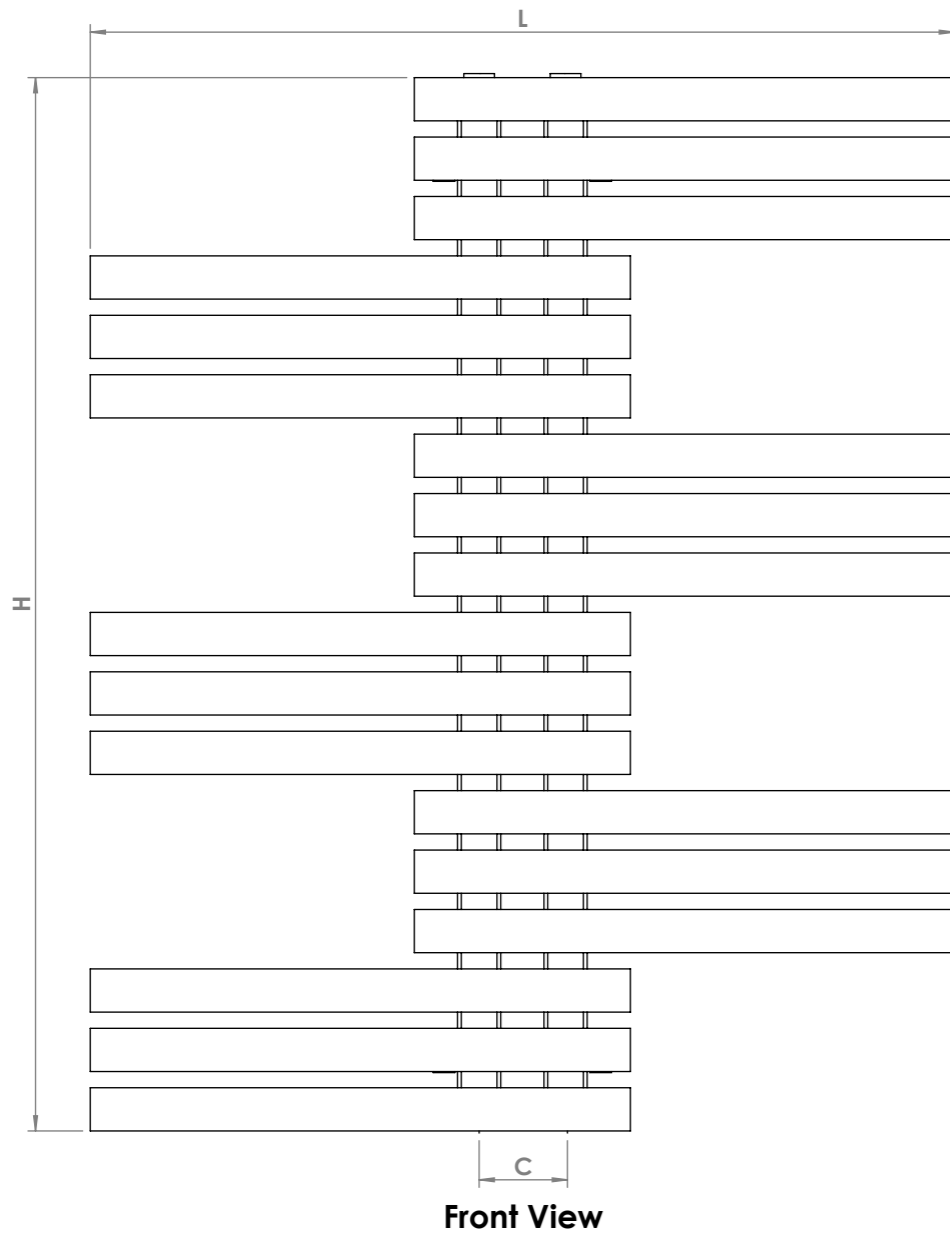
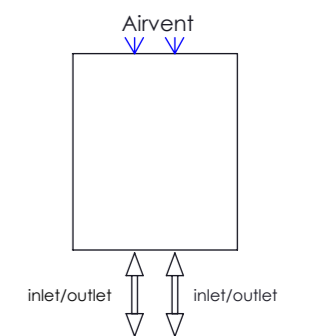


Luxury Bathroom Solutions

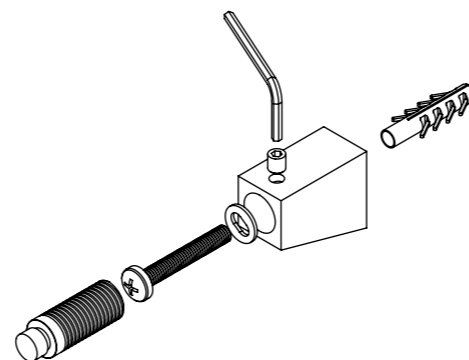
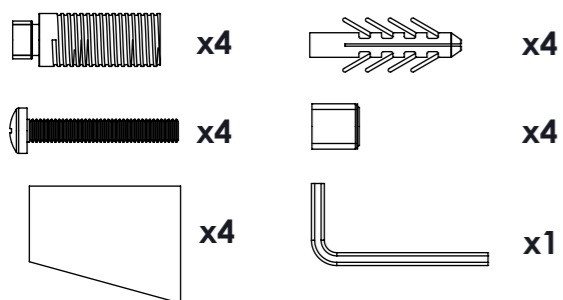
LABREN



Plumbing Position:



Installation Accessories:



Vertical mount
 All Dimensions are in mm
 Max.Working Pressure: 10 Bar
 Max.Working Temperature: 120° C
 Inlet / Outlet : 1/2" BSP
 Fuel : E/H/D

Manufacturing Tolerance : - 5 mm

Height	Length	Depth	Pipe Centres	Bracket Centres	Heat Output		
H	L	D	C	F	S	BTU	Watts
mm	mm	mm	mm	mm	mm		
975	800	70	80	825	145	4310	1262