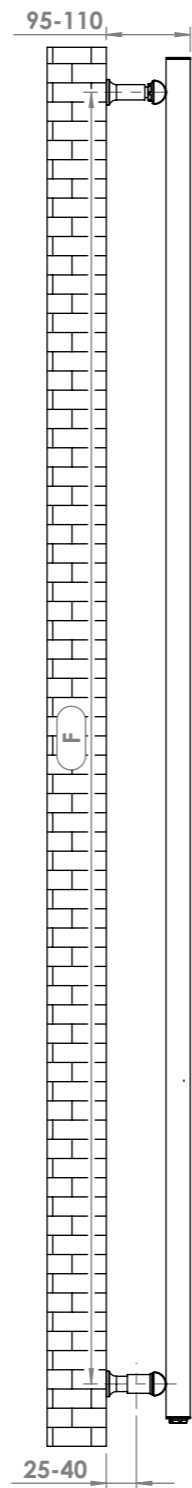
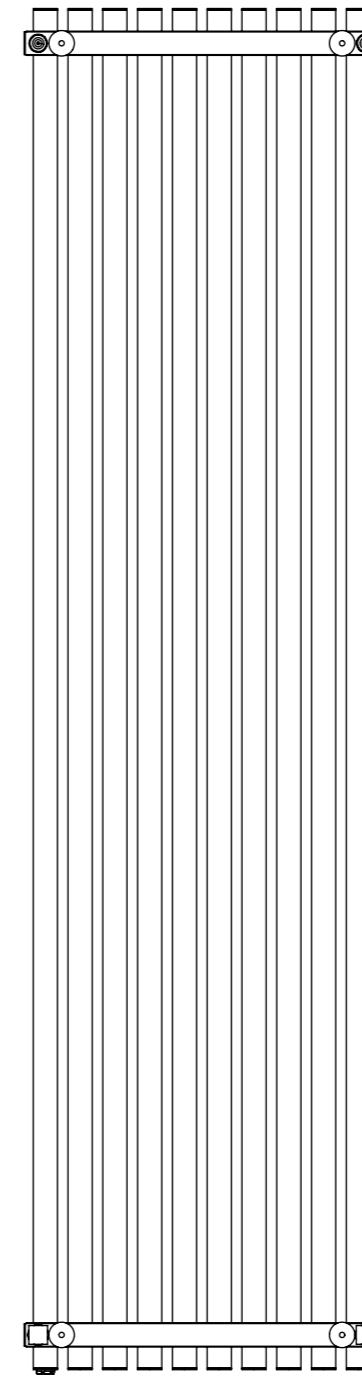


**Front View**

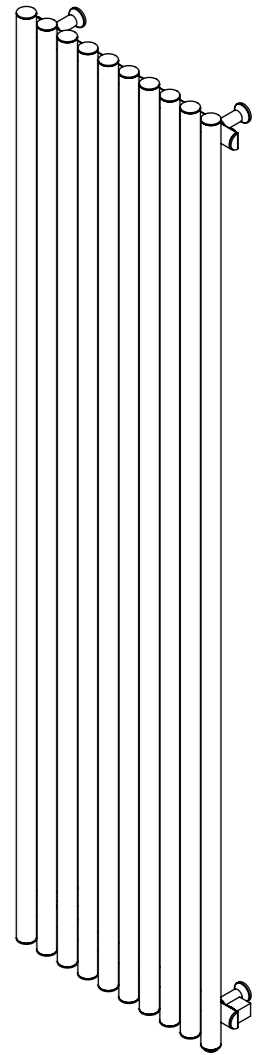
Electrical Element Inlet



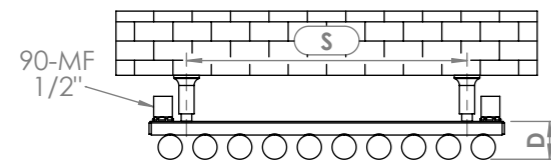
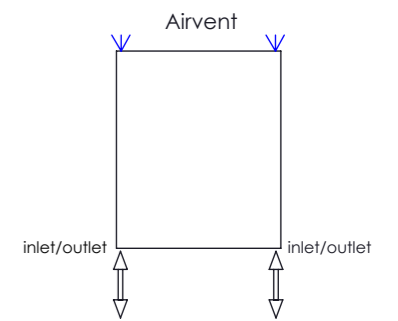
**Side View**



**Back View**




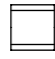
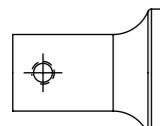



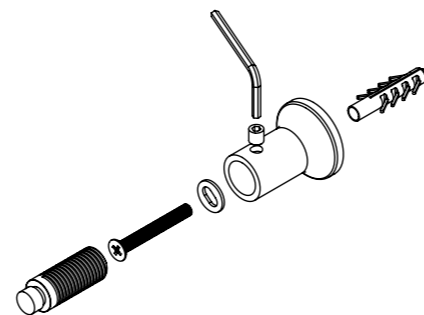
**Plumbing Position:**



**Top View**

**Installation Accessories:**

-  x4       x4
-  x4       x4
-  x4       x1



Vertical/horizontal mount  
 All Dimensions are in mm  
 Max.Working Pressure: 10 Bar  
 Max.Working Temperature: 120° C  
 Inlet / Outlet : 1/2" BSP  
 Fuel : E/H/D

Manufacturing Tolerance : - 5 mm

**Luxury Bathroom Solutions**

Height H	Length L	Depth D	Pipe Centres C	Bracket Centres F	Bracket Centres S	Heat Output	
						BTU	Watts
1000	470	50	433	908	370	2978	872
1500	470	50	433	1408	370	4485	1313
1800	470	50	433	1708	370	5362	1570
2000	470	50	433	1908	370	5960	1745