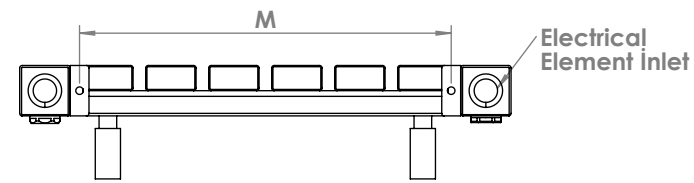
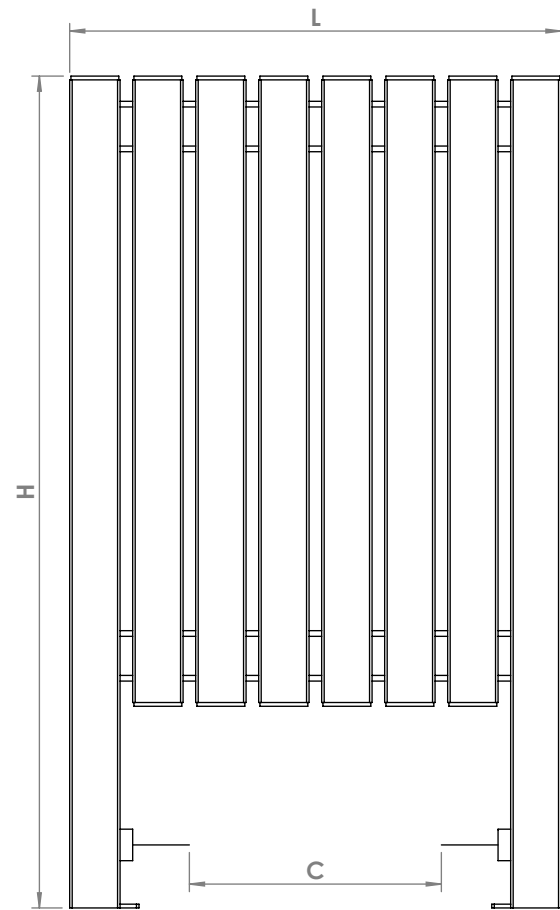


# Luxury Bathroom Solutions

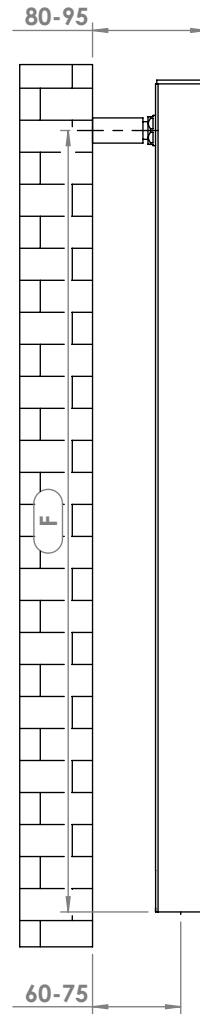
**ARAT L**



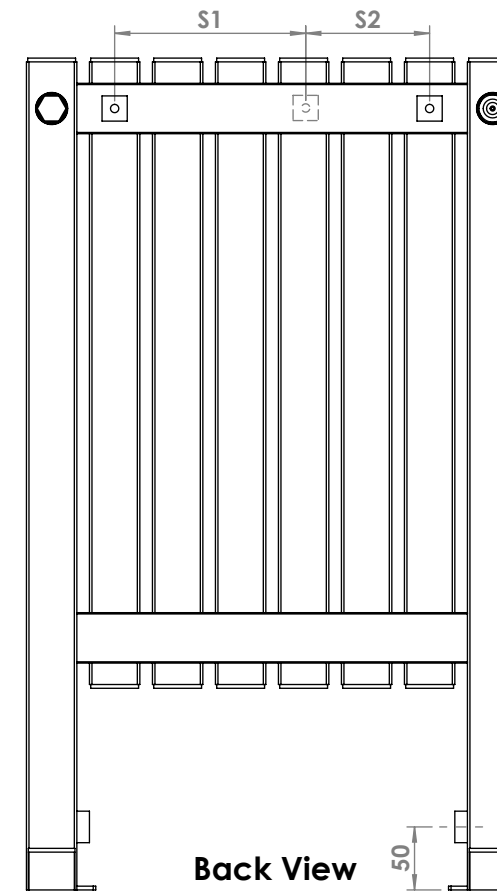
**Bottom View**



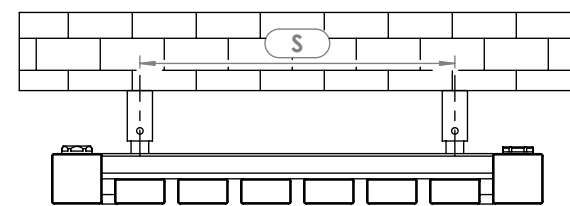
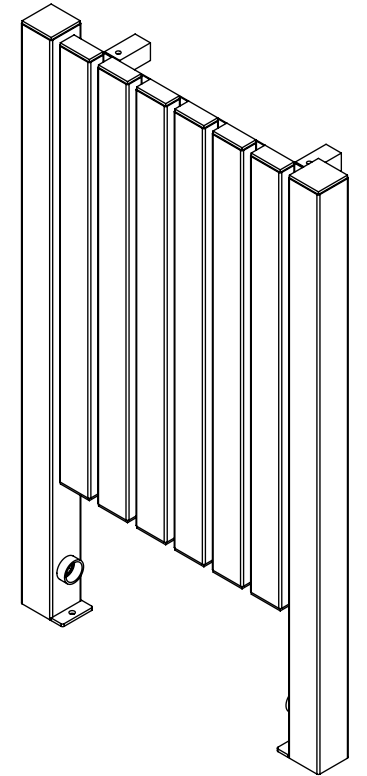
**Front View**



**Side View**

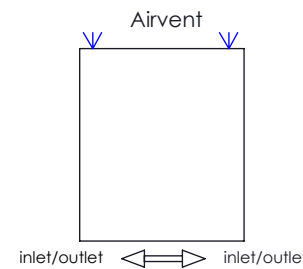


**Back View**



**Top View**

**Plumbing Position:**




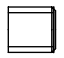




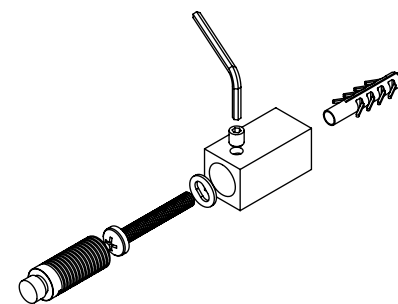
Vertical mount  
 All Dimensions are in mm  
 Max. Working Pressure: 10 Bar  
 Max. Working Temperature: 120° C  
 Inlet / Outlet : 1/2" BSP  
 Fuel : E/H/D

Manufacturing Tolerance : - 5 mm

Note: Dimension (S1,S2) available for minimum 28 profiles

**Installation Accessories:**

-  **x2**       **x4**
-  **x4**       **x2**
-  **x2**       **x1**



Height H	Length L	Depth D	Pipe Centres C	Bracket Centres			Heat Output	
				F	S (S1-S2)	M	BTU	Watts
660	390	40	200	620	250	295	1551	454
660	490	40	300	620	350	395	1899	556
660	590	40	400	620	450	495	2247	658
660	690	40	500	620	550	595	2596	760
660	790	40	600	620	650	695	2944	862
660	990	40	800	620	850	895	3641	1066
660	1190	40	1000	620	1050	1095	4338	1270
660	1390	40	1200	620	650-600	1295	5427	1589
660	1590	40	1400	620	750-700	1495	5731	1678
660	1790	40	1600	620	850-800	1695	6428	1882
660	1990	40	1800	620	950-900	1895	7125	2086
760	390	40	200	720	250	295	1861	545
760	490	40	300	720	350	395	2279	667
760	590	40	400	720	450	495	2697	790
760	690	40	500	720	550	595	3115	912
760	790	40	600	720	650	695	3533	1034
760	990	40	800	720	850	895	4369	1279
760	1190	40	1000	720	1050	1095	5205	1524
760	1390	40	1200	720	650-600	1295	6513	1907
760	1590	40	1400	720	750-700	1495	6878	2008
760	1790	40	1600	720	850-800	1695	7714	2258
760	1990	40	1800	720	950-900	1895	8550	2503