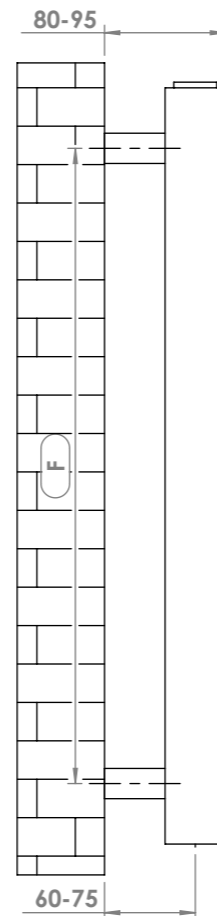
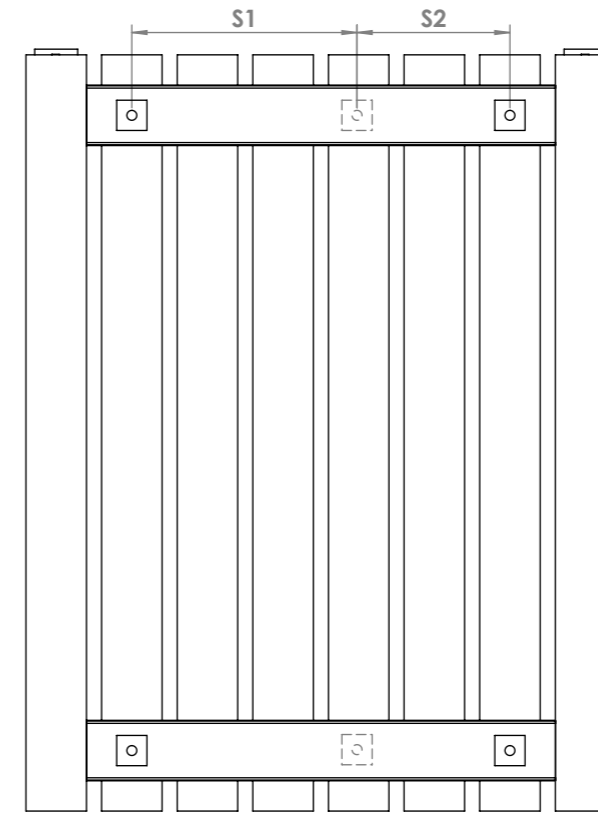


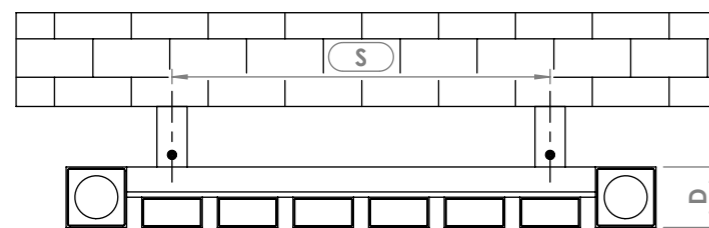
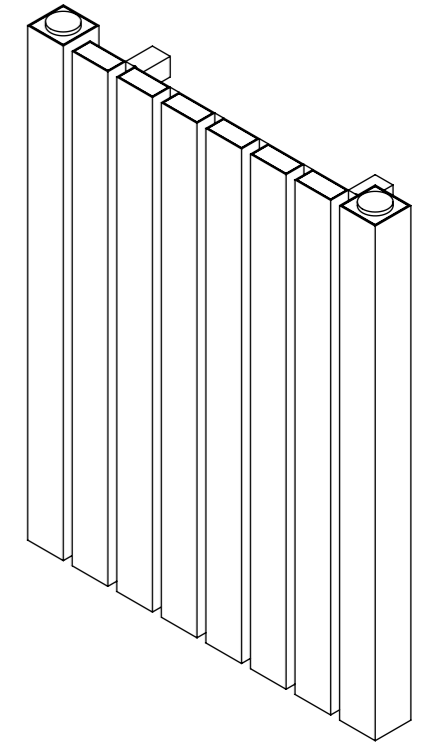
Front View



Side View









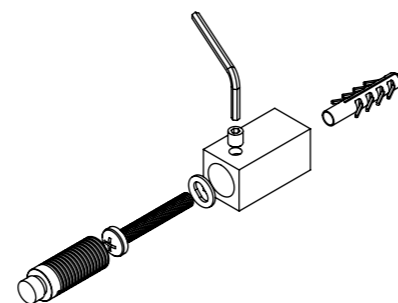
Back View



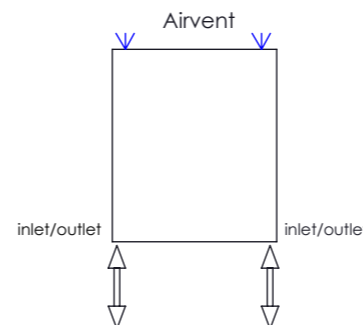
Top View

Installation Accessories:

-  **x4**  **x4**
-  **x4**  **x4**
-  **x4**  **x1**



Plumbing Position:



Vertical/horizontal mount
 All Dimensions are in mm
 Max. Working Pressure: 10 Bar
 Max. Working Temperature: 120° C
 Inlet / Outlet : 1/2" BSP
 Fuel : E/H/D

Manufacturing Tolerance : - 5 mm

Note: Dimension (S1,S2) available for minimum 28 profiles

Height H	Length L	Depth D	Pipe Centres C	Bracket Centres		Heat Output	
				F	S (S1-S2)	BTU	Watts
500	390	40	350	420	250	1441	422
500	490	40	450	420	350	1790	524
500	590	40	550	420	450	2138	626
500	690	40	650	420	550	2493	730
500	790	40	750	420	650	2835	830
500	990	40	950	420	850	3532	1034
500	1190	40	1150	420	1050	4229	1238
500	1390	40	1350	420	650-600	4925	1442
500	1590	40	1550	420	750-700	5622	1646
500	1790	40	1750	420	850-800	6319	1850
500	1990	40	1950	420	950-900	7016	2054
600	390	40	350	520	250	1730	506
600	490	40	450	520	350	2148	629
600	590	40	550	520	450	2566	751
600	690	40	650	520	550	2992	876
600	790	40	750	520	650	3402	996
600	990	40	950	520	850	4238	1241
600	1190	40	1150	520	1050	5074	1486
600	1390	40	1350	520	650-600	5910	1730
600	1590	40	1550	520	750-700	6746	1975
600	1790	40	1750	520	850-800	7583	2220
600	1990	40	1950	520	950-900	8419	2465