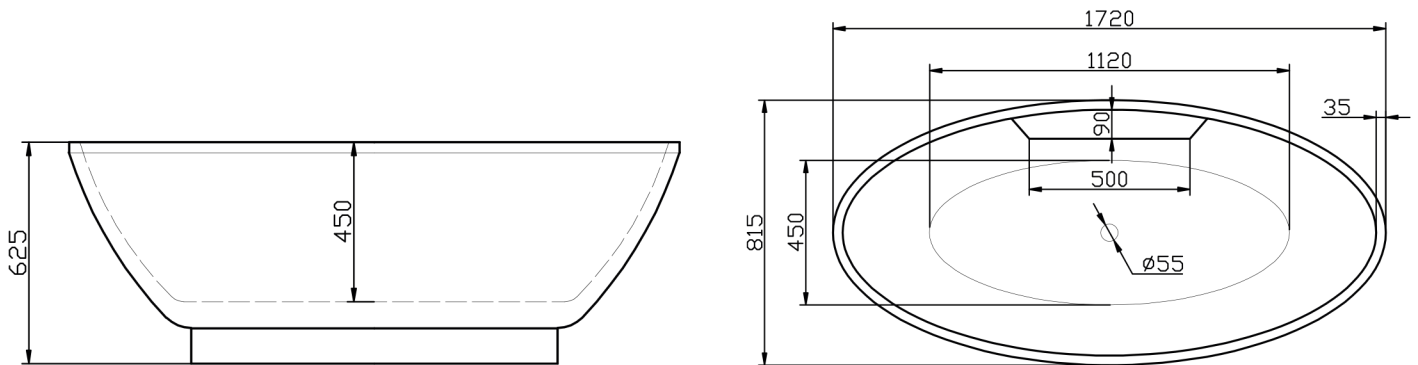


Adelfia

Luxury

Bathroom Solutions



General Specification

Dimensions (mm):

L1720 x W815 x H630

Weight (dry): 41kg

Weight (with water): 286kg

Litres to overflow: 245 litres

Tap Holes: Tap holes to be drilled during installation.

Lifetime Guarantee

(Terms & conditions apply)

Design and Manufacture

These exclusive baths are designed and manufactured using the highest current technology and stringent testing of materials which result in hand finished products with unrivalled high finish, durability and extended service life, which all conform and are accredited with current **SGS CE ISO 9001:2000** standards.

- * The baths are produced using two pieces of 5mm sanitary grade acrylic sheets.
- * Both the inner and outer acrylic skins are then reinforced using resin bonded glass fibre strands.
- * When the resin is cured it sets solid to give both acrylic skins an improved strength and rigidity.
- * Both skins are then coated with thermal sheets so that the water in the bath has longer heat retention.
- * The inner and outer skins are then bonded together using polyester based cast giving it a solid base.
- * The bath is finally hand finished and quality control checked and approved by the factory professional craftsmen.

For further information please contact us: Tel 0844 8770570 or email sales@luxurybathroomsolutions.co.uk

All products are subject to availability and we reserve the right to change design, specifications, sizes and prices without prior notice. We strongly recommend that you use a suitably qualified installer. We cannot accept responsibility for incorrect installation. Dimensions may vary due to the handmade construction of the baths.

www.luxurybathroomsolutions.co.uk